



Yeoman CL
High Output Boiler Stove

YM-CL8HB

**Instructions for Use,
Installation and Servicing**

For use in GB & IE (Great Britain and Republic of Ireland).

This appliance has been certified for use in countries other than those stated. To install this appliance in these countries, it is essential to obtain the translated instructions and in some cases the appliance will require modification. Contact Stovax for further information.

IMPORTANT

This appliance will become hot whilst in operation, it is therefore recommended that a suitable guard should be used for the protection of young children, the elderly or infirm. Do not attempt to burn rubbish in this appliance.

Please read these Instructions carefully before installation or use.

Keep them in a safe place for future reference and when servicing the fire.

The commissioning sheet found on page 3 of these instructions should be completed by the Installer.

CONTENTS

APPLIANCE COMMISSIONING CHECKLIST	3	COMMISSIONING	31
USER INSTRUCTIONS	4	MAINTENANCE & SERVICING	32
General Points	4	Annual Service	32
Using the Appliance for the first time	6	Removal of Log Guard	33
Recommended Fuels	6	Removal of Baffle	33
Lighting the Appliance	7	Fitting a New Glass Door	33
Running the Appliance	8	Fitting a New Door Seal	34
Burning Tips	9	Adjusting Door Catches & Hinges	35
Ash Removal	10		
Woodburning	11	SPARE PARTS	36
Extended Burning	11	SERVICE RECORDS	38
Over-Firing	11		
Chimney Fire	12		
General Cleaning	12		
Cleaning Glass	12		
Chimney Sweeping	12		
Care of Stove	13		
Seasonal Use	13		
Troubleshooting Tips	13		
INSTALLATION INSTRUCTIONS			
TECHNICAL	15		
Technical Specifications	15		
Standard Features	15		
Packing List	15		
Boiler Output Chart	15		
Dimensions	16		
SITE REQUIREMENTS	17		
Flue & Chimney	17		
Flue Exit Positions	18		
Hearth Dimensions	18		
Walls Next to Hearth	19		
PRE-INSTALLATION	20		
Flue	20		
Ventilation	21		
INSTALLATION	22		
Legal Requirements	22		
Installing the Appliance	22		
Top Flue Installation	22		
Rear Flue Installation	22		
Removal of Log Guard	23		
Fitting & Removal of Baffle	24		
Removal of the Riddling Mechanism	24		
Hearth Fixing	26		
Fitting Cast Top	26		

WARRANTY

Your Yeoman retailer provides you with a Two Year Warranty for your new stove. However, this specifically excludes naturally wearing parts or 'consumables' such as glass, firebricks and rope seal and the use of non-authorized fuel such as petro-cokes. Furthermore, for the warranty to be valid, your stove must have been installed in accordance with the manufacturer's instructions and the second year's warranty is dependent on the appliance being serviced 12 months after installation by a HETAS or other similarly qualified engineer.

They also provide a Five Year Casting Warranty for the carcass of all cast iron stoves and the cast iron door of steel stoves. Again, this excludes naturally wearing cast parts such as grate, dampers, log retainers and baffles.

You can help your retailer to provide their warranties by returning the reply card or registering online at www.yeoman-stoves.co.uk

APPLIANCE COMMISSIONING CHECKLIST

To assist us in any guarantee claim please complete the following information:-

Retailer appliance was purchased from

Name:

Address:

.....

Telephone number:

Essential Information - MUST be completed

Date installed:

Model Description:

Serial number:

Installation Engineer

Company name:

Address:

.....

Telephone number:

Commissioning Checks (to be completed and signed)

Is flue system correct for the appliance YES NO

Flue swept and soundness test complete YES NO

Smoke test completed on installed appliance YES NO

Spillage test completed YES NO

Use of appliance and operation of controls explained YES NO

Instruction book handed to customer YES NO

Signature:

Print name:

USER INSTRUCTIONS

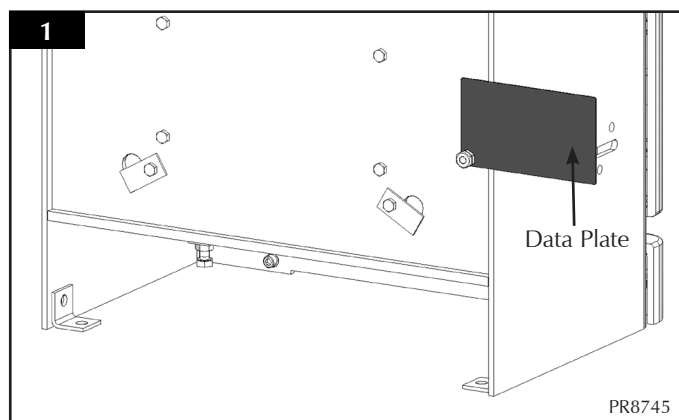
1. GENERAL POINTS

- 1.1 **Before use of this appliance please read these instructions fully.**
- The appliance must be fitted by a registered installer*, or approved by your local building control officer.**
- 1.2 **All local regulations, including those referring to national and European Standards need to be complied with when installing the appliance.**
- 1.3 Only use for domestic heating in accordance with these operating instructions.
- 1.4 You must burn only approved fuels. Do not use with liquid fuels or as an incinerator.
- 1.5 Appliance surfaces become very hot when in use. Use a suitable fireguard if young children, elderly or infirm persons are present. Stovax offer firescreens, sparkguards and hearthgate systems for protection‡. Your Yeoman retailer can advise you about these products.
- 1.6 Do not place photographs, TV's, paintings, porcelain or other combustible items on the wall or near the appliance. Exposure to hot temperatures will cause damage. Do not place furniture, or other items such as drying clothing, closer than 1m from the front of this appliance.
- 1.7 Extractor fans or cooker hoods must not be placed in the same room or space as this can cause appliance to emit fumes into the room.
- 1.8 Do not obstruct inside or outside ventilation required for the safe use of this appliance.
- 1.9 Do not make unauthorised changes to the appliance.
- 1.10 The chimney must be swept at least once a year (see *User Instructions, Section 14*).
- 1.11 **Do not connect, or share, the same flue or chimney system with another appliance.**
- 1.12 This appliance is designed to be used with the doors shut.

‡In the U.K. these products must conform to BS 6539, Fireguards for use with solid fuel appliances. If appliance is operating unattended they must conform to BS 3248
*Registered on the Competent Persons Scheme (GB only) see page 35 / INFO (Republic of Ireland).

SERIAL NUMBER

- 1.13 This number is required when ordering spare parts or making warranty claims. It is found on the appliance data plate.



The data plate is found on a swing out data plate located on the back of the stove on the left hand side (see Diagram 1).

THERMOSTAT

As an optional extra this stove can be controlled by a thermostat which regulates the rate at which the fuel is burned and the amount of heat produced. A trial and error approach will establish settings to suit personal preference.

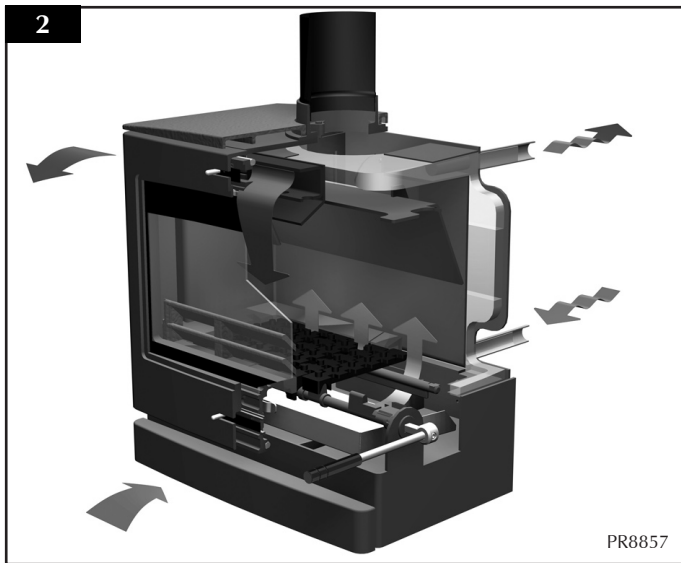
AIR CONTROLS

Double Air Systems

This Yeoman appliance has a double air system, providing cleaner burning and greater efficiency and control (see Diagram 2).

- 1) Airwash - air drawn over the window cleans the glass. The source of Primary Combustion air when burning wood.
- 2) Primary Air - for use with solid fuel and when lighting wood fires.

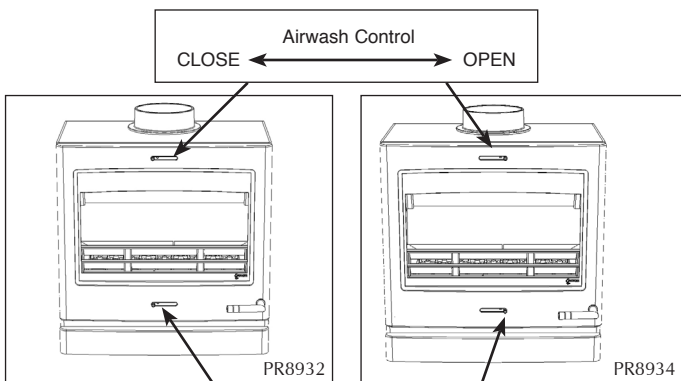
USER INSTRUCTIONS



For Air Controls see the diagram over.

Use the tool provided to operate the air controls.

Do not place tool on hot surfaces (e.g. top of stove).

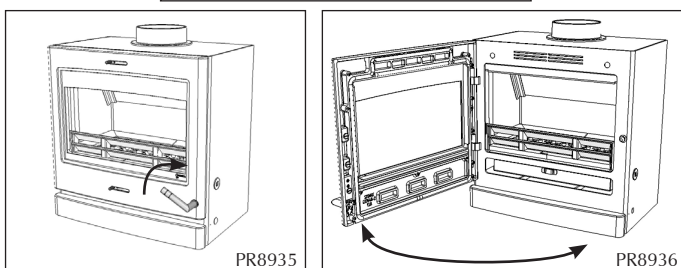


DOOR OPERATION

1.14 Use a protected gloved hand to operate.

DO NOT OPEN THE DOOR WITH BARE HANDS

To Open and Close
Rotate handle and pull door to open



HEATING SYSTEM CONTROLS

CONTROLS, GENERAL

1.18 The controls fitted to the system will provide two functions:

- To control the comfort level in the house.
- To maintain safety in the event of misuse or mechanical failure.

COMFORT CONTROLS

1.19 A programmable timer switches the pump on when heat is required and off when it is not.

The timer, when combined with a room thermostat and / or thermostatic radiator valves, enhances the comfort levels in the house.

Some room thermostats combine the function with the timer and can be programmed to reduce the room temperature rather than turning the system off. This is effective in not allowing rooms to become too cold and speeding up recovery time.

1.20 The hot water cylinder can also be fitted with a thermostatic valve which turns off the flow when the cylinder has reached the desired temperature, but the heat leak radiator will have to be bigger to cope with the extra load when the tank is isolated.

SAFETY CONTROLS

1.21 A high limit thermostat is fitted to the gravity flow pipe set at 80°C. This thermostat should be connected to the pump so that the pump is turned on if the temperature exceeds 80°C. This will prevent accidental boiling in the gravity circuit.

1.22 It is also recommended to fit a low limit thermostat on the central heating return set at 45°C. This thermostat will turn the pump off if the return temperature falls below 45°C. This will prevent corrosion and condensation within the stove.

NOTE – Further information on solid fuel central heating systems can be found in the HETAS engineers training manual.

USER INSTRUCTIONS

WARNING

Properly installed, operated and maintained this appliance will not emit fumes into the room.

Occasional fumes from de-ashing and refuelling may occur.

Persistent fume emission is potentially dangerous and must not be tolerated.

If fume emission does persist:

- Open doors and windows to ventilate the room.
- Allow fire to burn out and safely dispose of fuel from the appliance.
- Check for chimney blockage and clean if required.
- Do not attempt to relight until the cause of the emission has been identified and corrected. If necessary seek expert advice.

All open flued appliances can be affected by temporary atmospheric conditions which may allow fumes to enter the house. Because of this it is recommended that an electronic carbon monoxide detector conforming to BSEN50291 be fitted and maintained.

2. USING THE APPLIANCE FOR THE FIRST TIME

- 2.1 To allow the appliance to settle and fixing glues and paint to fully cure:
- Operate the appliance at a low temperature for first few days.
- 2.2 **Do not touch the paint during the first period of use.**
- 2.3 During this time the appliance may give off some unpleasant odours:
- Keep the room well ventilated to avoid a build-up of fumes.

CONDENSATION

CAUTION WHEN FILLING

- 2.4 When filling the boiler with water for the first time, the cold water entering the water jacket can cause condensation to form on the surfaces of the appliance (inside and outside).
- 2.5 In certain conditions this condensation could result in a considerable amount of water, in some cases enough to fill the bottom of the appliance. This could be even worse if the house has recently been re-decorated, wet plastered or any other work has been undertaken which could result in high humidity.

- 2.6 Precautions must be taken to ensure that this build up of condensate does not overflow from the appliance onto any surrounding fabric of the room e.g. carpets.

NOTE - THIS CONDENSATION IS NORMAL DURING FILLING AND DOES NOT INDICATE A FAULTY OR LEAKING STOVE.

NORMAL RUNNING

- 2.7 During normal running this condensation should be minimal if the system is fitted with the low limit thermostat as detailed in 1.22 (above). This low limit thermostat prevents the system pump from running until the stove has reached temperature.

SEASONAL USE

- 2.8 If this appliance is unused for lengthy periods of time it should be periodically checked to ensure that condensation is not building up within the stove.

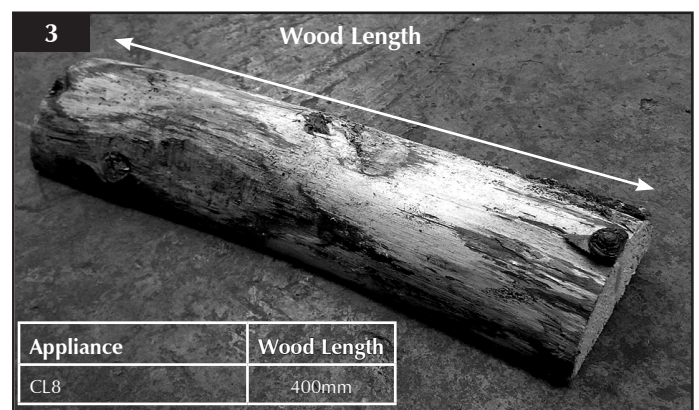
NOTE – THIS CONDENSATION IS NORMAL AND DOES NOT INDICATE A FAULTY OR LEAKING STOVE.

If the stove is going to be unused for very long periods of time it is recommended to drain the system.

3. RECOMMENDED FUELS

3.1 Wood Logs

Burn only seasoned timber with a moisture content of less than 20%. To ensure this allow cut wood to dry for 12 to 18 months.



Poor quality timber:

- Causes low combustion efficiency.
- Produces harmful condensation.
- Reduces effectiveness of the airwash and life of the appliance.

Do not burn construction timber, painted, impregnated / treated wood, manufactured board products or pallet wood.

USER INSTRUCTIONS

3.2 Solid fuel

Burn only anthracite or manufactured briquette smokeless fuels listed as suitable for use with closed heating appliances.

Do not burn bituminous coal, 'petro-coke' or other petroleum based fuels as this will invalidate the product guarantee.

3.3 Fuel consumption

Description	Fuel Consumption	
	Kg/hour Wood	Kg/hour Briquette Smokeless fuel
Yeoman CL 8HB	4.8	2.1

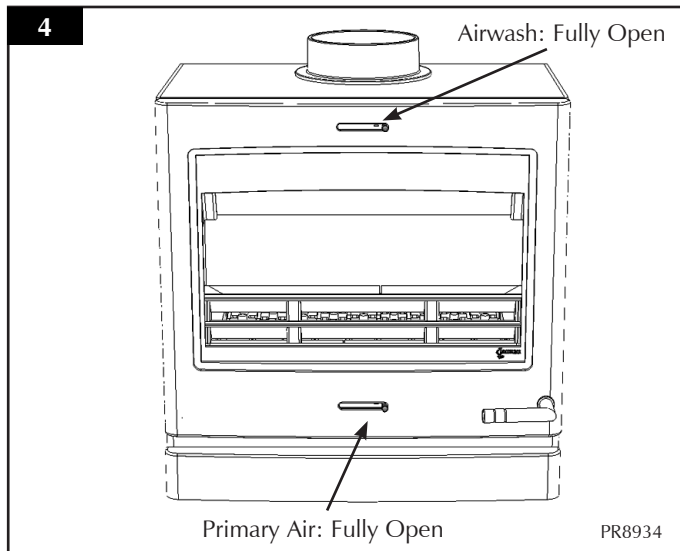
3.4 For advice on suitable solid fuels contact your local approved coal merchant*.

A number of factors can affect the performance of the appliance (see *User Instructions, Section 6*).

4. LIGHTING THE APPLIANCE

4.1 For best results:

—Set air controls (see Diagram 4).



—Place firelighters or paper and dry kindling wood on the grate.

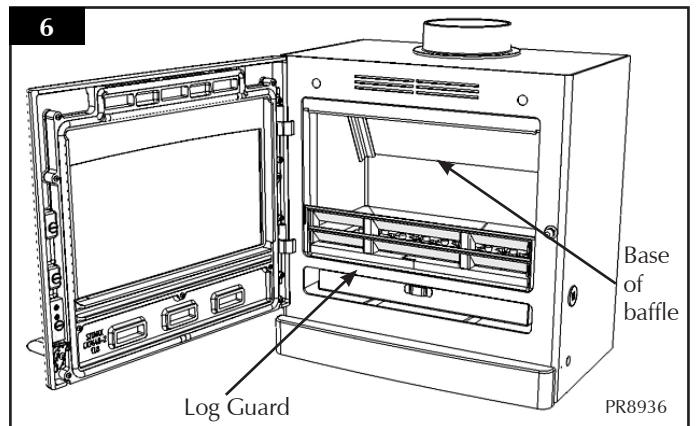
—Light the paper or firelighters (see Diagram 5).



—Leave the door slightly open as the fire establishes and the glass warms to avoid the build-up of condensation.

—Add larger pieces of wood. Too many logs may smother the fire.

Do not load fuel above the log guard and the base of the baffle at the back of the firebox (see Diagram 6).



—Close the door.

*In the U.K.

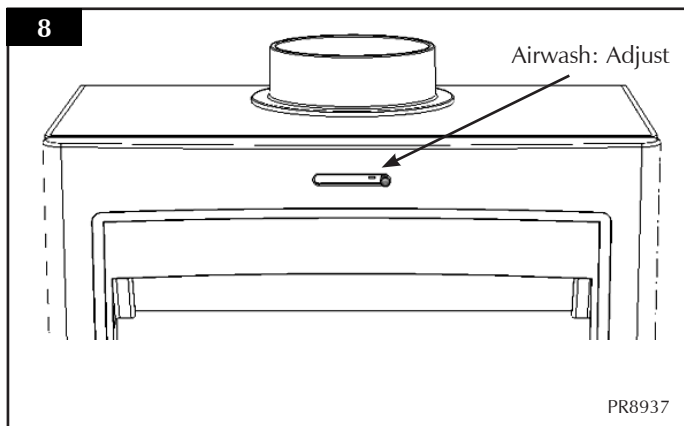
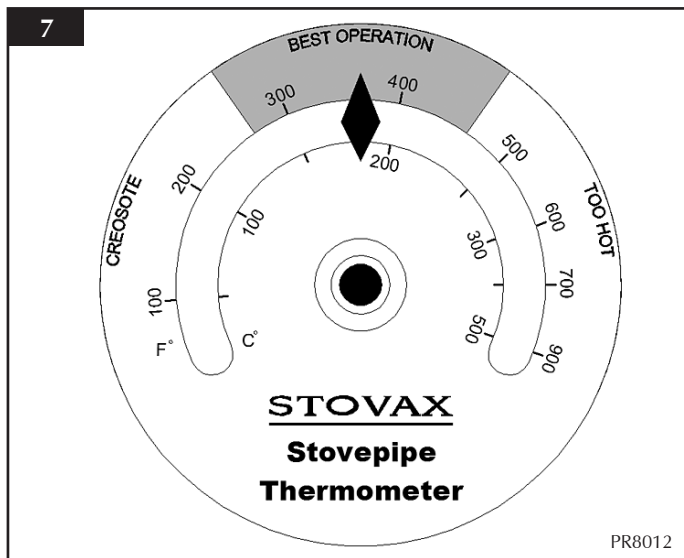
Ring the Solid Fuel Association advice line on 0845 601 4406 for details or visit their web site at www.solidfuel.co.uk

USER INSTRUCTIONS

5. RUNNING THE APPLIANCE

BURNING WOOD:

- 5.1 This appliance gives out its heat in two ways:
- Directly into the room in which it is fitted through convection and radiation.
 - Hot water to heat radiators and domestic hot water. The output to hot water varies depending on how quickly the fuel is being burnt. For more detail see the graph on page 13.
- 5.2 Only for use with recommended fuels, see *Section 3* for full details.
- Close the **Primary Air** control and use the **Airwash** to control the burn rate when the appliance is at optimum operating temperature (see Diagrams 7 & 8).



- Wood burns best on a bed of ash (approx. 25mm (1") deep).

- Rake the embers evenly over the firebed and open the **Airwash** control fully for a few minutes before re-fuelling.

Do not refuel when a large amount of flames are present in the firebox as this could cause smoke or flames to spill into the room.

Close the doors immediately after refuelling.

- 5.3 Burn new logs at a high temperature for a few minutes before adjusting the **Airwash control**. Refuel little and often for clean, efficient burning.

Do not load above the log guard or base of baffle.

- 5.4 Do not burn large amounts of fuel with the **Airwash** control closed for long periods of time. This reduces the glass cleaning effect of the Airwash and causes tars and creosotes to build-up in the appliance and flue system.

- 5.5 When in use, running the appliance at a high temperature for a short period reduces tars and creosotes.

- 5.6 Experience establishes settings to suit personal preference.

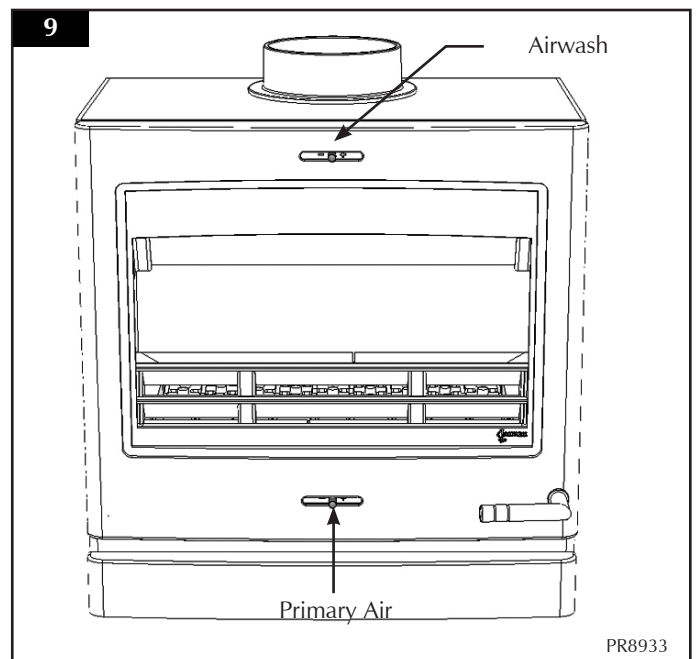
Do not burn construction timber, painted, impregnated / treated wood, manufactured board products or pallet wood.

5.6 BURNING SOLID FUEL

To burn smokeless fuels a cast iron multi-fuel grate must be fitted.

Only for use with recommended fuels (see *User Instructions, Section 3*).

- 5.7 Set air controls as shown in Diagram 9.



USER INSTRUCTIONS

- 5.8 De-ash the firebed before re-fuelling (see *User Instructions, Section 7*).

Open the **Primary Air Control** fully to establish a glowing bed before adding new fuel.

Burn new fuel at a high temperature (see Diagram 7) for a few minutes before adjusting the **Primary Air Control** to the desired setting.

Refuel little and often for clean, efficient burning.

- 5.9 Experience establishes settings to suit personal preference.
- 5.10 Do not burn large amounts of fuel with the **Primary Air Control** on a low combustion setting for long periods of time. This reduces the glass cleaning effect of the Airwash and causes tars and creosotes to build-up in the appliance and flue system.
- 5.11 When in use, burning the appliance at a high temperature for a short period reduces tars and creosotes.
- 5.12 **Only anthracite or smokeless fuels suitable for use in closed appliances must be burned in this appliance.**
- 5.13 **Do not burn bituminous coal, 'petro-coke' or other petroleum based fuels as this invalidates the product guarantee.**
- 5.14 **Do not load fuel above the log guard and the base of the baffle at the back of the firebox** (see Diagram 5).

REFUELLING

- 5.15 De-ash the fire bed before refuelling, see Ash Removal
- Open the **Primary air control** fully to establish a glowing bed before adding new fuel.
 - **Do not refuel when a large amount of flame is present in the firebox as this could cause smoke or flames to spill into the room.**
 - **Close the doors immediately after refuelling.**
 - Burn new fuel at a high temperature for a few minutes before adjusting the **Primary air control** to the desired setting.
 - Refuel little and often for clean, efficient burning.
- 5.16 Do not re-fuel the stove above the level of the log guard or the base of the baffle.

THERMOSTAT OPERATION

- 5.17 This appliance can be fitted with a thermostat kit to control the temperature of the boiler. See the instructions included in the kit for operation details.

6. BURNING TIPS

6.1 Fuel Quality (Wood)

Use wood with a moisture content of less than 20%. Seasoned logs have the bark beginning to lift and peel away and cracks radiating from the centre. They feel lighter than fresh cut wood of a similar size and sound hollow when struck against each other. Logs should not feel damp or have moss and fungal growths.

Symptoms related to wet wood:

- Difficulty starting and keeping a fire burning well.
- Smoke and small flames.
- Dirty glass.
- Rapid creosote build-up in the chimney.
- Low heat output.
- Short burn times, excessive fuel consumption and blue/grey smoke from the chimney.

Burn at a high temperature for a short period each day to avoid large build-ups of tars and creosote within the appliance and the flue system.

Use Stovax Protector chimney cleaner to reduce this problem.

6.2 Fuel Quality (Solid Fuel)

Use recommended solid fuels approved for use with closed appliances.

Symptoms related to unsuitable fuels include:

- Difficulty starting and keeping a fire burning well.
- Smoke and small flames.
- Dirty glass and/or fire bricks.
- Short life span for Grate and Baffle.
- Permanent staining of glass.

6.3 Air inlets puffing smoke

Combustion gases can build up in the firebox and ignite as small explosions, causing smoke to puff out of the air inlets and other openings. This occurs if the air controls are shut soon after adding new fuel to a very hot fire. Stop by opening the air controls to increase combustion air and burning rate.

6.4 Flue Draught

The chimney has two main functions:

- 1) To safely remove the smoke, gases and fumes from the house.
- 2) To provide a sufficient amount of draught (suction) in the appliance ensuring the fire keeps burning.

In the U.K.

* Registered on the Competent Persons Scheme (GB only) see page 35 / INFO (Republic of Ireland).

** This should be done by a HETAS registered chimney sweep, see page 35, who will issue you with a certificate.

USER INSTRUCTIONS

Draught is caused by the rising hot air in the chimney when the appliance is lit.

Symptoms of poor performance related to flue draught include:

- Excessive fuel consumption (high flue draught).
- Poor burning control, overheating (high flue draught).
- Wind noise from air controls (high flue draught).
- Difficulty getting a fire going and keeping it burning well (low flue draught).
- Low heat output (low flue draught).
- Smoke entering room when doors opened (low flue draught).

The construction, position, size and height of the chimney all affect the performance of the flue draught. Other factors effecting the flue draught include:

- Trees or other buildings nearby causing turbulence.
- Outside temperature.
- Outside weather conditions.
- Incorrect additional ventilation to building.
- Blocked flue / chimney.

For advice on the correction of persistent flue problems consult a qualified solid fuel heating engineer before continuing to use the appliance.

6.5 Weather conditions

The weather conditions outside the building can effect the burning performance of the appliance. These could include:

Weather Conditions	Problem	Effect
Windy days	Buildings/Obstacles cause turbulent air around chimney.	Smoky Appliance
Calm days	Oversized Chimney.	Smoky Appliance
Damp / Rainy days	Flue temperature not hot enough. Rain water inside chimney.	Lighting and burning problems

To reduce these problems:

- Use good quality kindling wood to start the fire.
- Burn initially at a high temperature for a short period.
- Fit a rain cowl to the chimney.

Your installer should advise you on possible solutions.

If the appliance emits smoke into the room continuously:

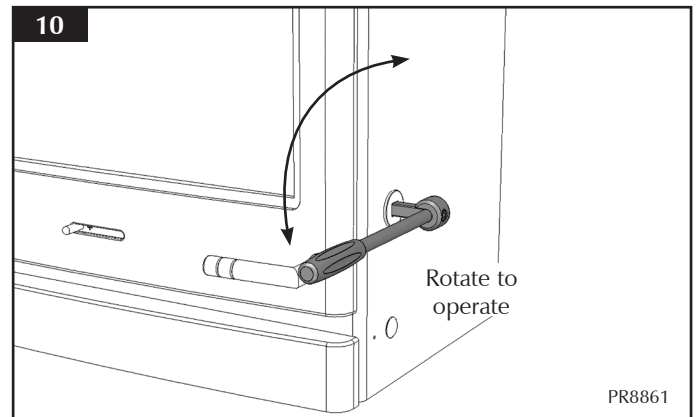
- Close the air controls and allow the appliance to go out.
- Ventilate the room to clear the fumes.

Do not re-light the appliance until the problem is solved.

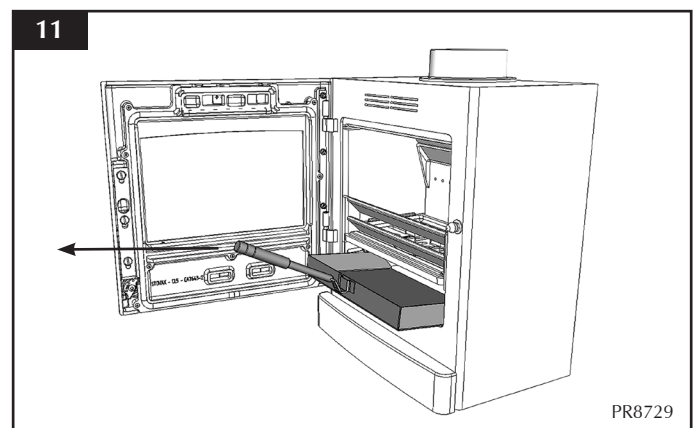
7. ASH REMOVAL

7.1 Multi-fuel stove

Riddle with the tool provided (see Diagram 10).



Open Door (see Diagram 11).

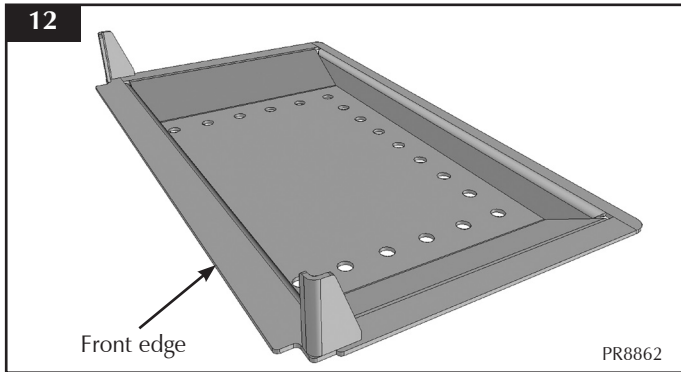


- Using gloves carefully remove ashpan with the tool provided. **Heat can remain long after use.**
- Place the ash into a Stovax Ash Caddy (Stovax Part No. 4227) or other suitable container.
- Remove ash at least once every week when burning wood.
- Do not place hot ash in a container made from plastic or any other combustible material.

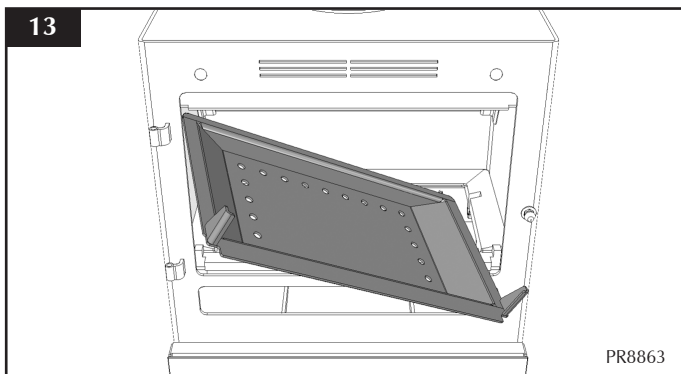
USER INSTRUCTIONS

8. WOOD BURNING TRAY

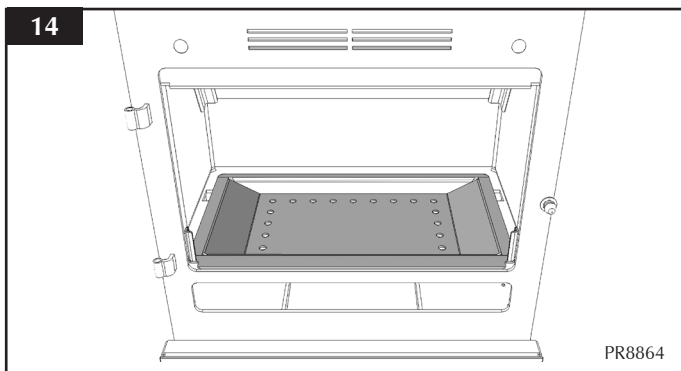
- 8.1 In order to burn wood continuously in this appliance a Wood Burning Tray should be fitted (see Diagram 12).



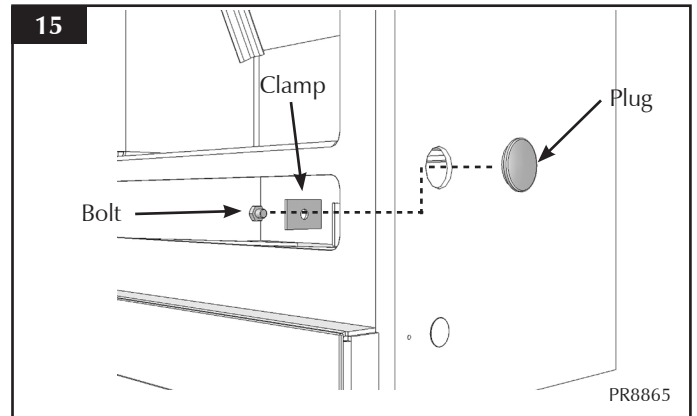
- 8.2 Remove the multi-fuel grate from the appliance (see Installation Instructions, Section 5).
- 8.2 To fit the Wood Burning Tray:
- Remove the log bar.
 - Hold the tray flat with the front edge pointing forwards (see Diagram 12).
 - Tilt diagonally and insert through the front of the stove (see Diagram 13).



- Place tray flat on the fixings on the firebed (see Diagram 14).



- Fit the plug supplied into the hole where the riddling mechanism is normally located and secure with bolt and clamp (also supplied, see Diagram 15).



- Replace the log bar.

9. EXTENDED BURNING

- 9.1 It is possible to get the appliance to burn for extended periods of time. In order to do this:
- De-ash prior to final refuelling.
 - Set air controls to low combustion settings.
- This will gradually blacken the glass but it will clear when operated at a high temperature for a short period.
- Use smokeless fuel or small, thick logs.

10. OVER-FIRING

- 10.1 Do not over-fill with fuel or run at high temperatures for long periods or over-firing can occur. If the flue pipe, flue collar or top plate glow red the appliance is over-firing. Close the air controls to reduce the temperature.
- 10.2 **Over-firing can cause permanent damage to the appliance.**

USER INSTRUCTIONS

11. CHIMNEY FIRE

11.1 If a chimney fire occurs:

- Shut all air controls immediately.
- Evacuate the building.
- Call the fire brigade.
- Do not re-enter the building until it is confirmed safe.

11.2 Do not use the appliance after a chimney fire until:

- It has been inspected by a registered installer*, confirming the appliance is safe to use.
- The chimney system has been inspected and swept by a chimney sweep, confirming the system is structurally sound and free from obstruction**.
- It is repaired as required before re-use. Use only genuine Yeoman replacement parts to keep your appliance in safe, efficient working order.

12. GENERAL CLEANING

- 12.1 Clean and inspect the appliance regularly, especially in periods of heavy use. Regular cleaning and maintenance will help give many years of safe use.

Allow appliance to cool thoroughly to avoid risk of burns.

Clean regularly, according to level of use.

Remove the ash completely (see *User Instructions, Section 7*).

Check the internal components for damage. Do not use the appliance if any parts are broken or damaged. Replace damaged parts with genuine Yeoman replacement parts to keep the appliance in safe, efficient working order.

Check for obvious build up of soot, ash or debris above the flue baffle(s) (these can be found in the upper part of the firebox). Use a torch if necessary.

If there are any signs of a build up of debris above the flue baffle(s) either:

- Arrange for the chimney to be swept (see *User Instructions, Section 14*).
- Remove the baffle and clear the debris (see *Installation Instructions, Section 3*).

To refresh painted finishes use Stovax Riva Midnight black metallic paint.

Wipe dry with a soft clean cloth before relighting. Always dry appliance to avoid rust.

Do not use abrasive cleaner or cleaning pads.

Check that the door shuts properly and creates an effective seal. Leaking door seals prevent the appliance working properly.

Do not use aerosol sprays near an operating appliance.

13. CLEANING GLASS

Keep the glass clean with correct use of the Airwash system and good quality fuel.

- 13.1 Sometimes additional cleaning may be required.

This can be done as follows:

- Allow appliance to cool fully. **Do not clean hot glass.**
- Use a soft cloth and Stovax Glass Cleaner.

- 13.2 Before re-lighting the appliance dry the glass fully.

- 13.3 **Do not use abrasive cleaner or cleaning pads.**

14. CHIMNEY SWEEPING

- 14.1 To maintain safe and efficient use of the appliance, the chimney/flue must be inspected and swept at least once a year by a qualified chimney sweep**.

If the appliance is used continuously throughout the year, or it is used to burn wood or smokeless fuel, more frequent sweeping is recommended.

The best time to have the chimney swept is at the start of the heating season.

The above applies even if burning smokeless fuels.

- 14.2 The chimney, any connecting flue pipe and the appliance flue ways, if incorporated, must be regularly cleaned.

- 14.3 Ensure adequate access for cleaning where it is not possible to sweep through the chimney.

- 14.4 If the chimney is believed to have previously served an open fire it must be swept a second time within a month of regular use after installation.

In the U.K.

* Registered on the Competent Persons Scheme (GB only) see page 35 / INFO (Republic of Ireland).

** This should be done by a HETAS registered chimney sweep, see page 35, who will issue you with a certificate.

USER INSTRUCTIONS

15. CARE OF STOVE

Stovax has a range of cleaning and maintenance products and accessories to keep your appliance in good working order. Your Yeoman retailer can advise you on suitable items for your stove and provide genuine spare parts such as replacement glass and door sealing rope. View the extensive range at www.stovax.com by clicking on *Accessories*. In addition, an annual service by a competent engineer is recommended to keep your stove in the best possible condition.



16. SEASONAL USE

- 16.1 Clean and service the appliance if it is not used during the warmer periods of the year, as detailed in the *Maintenance and Servicing* section.
- 16.2 Set the air controls to 50% to keep the appliance ventilated and stop the build-up of any moisture inside.
- 16.3 Before re-lighting the appliance:
 - Remove the baffle.
 - Clear any debris that may have accumulated.
 - Check the flue is clear of any blockages.

17. TROUBLESHOOTING TIPS

- 17.1 **Stove glass blackening**
This has four possible causes:
 1. **Incorrect use of Airwash**
See *User Instructions, Sections 1, 4 and 5* for the correct use of the air controls.
 2. **Burning unseasoned wood**
See *User Instructions, Section 3* to identify when wood is ready for burning.
 3. **Stove operated at too low a temperature**
A stove pipe thermometer can identify this problem (Stovax part no 3046). **The ideal working temperature range** is

130°C - 250°C (270°F - 480°F). Failing to close down the Primary Air Control once the appliance has heated up to this range may cause the appliance to exceed the ideal temperature range and to over-fire. Over-firing can cause permanent damage to the appliance and invalidates your warranty. Burn with the Airwash Control fully open for approximately 20 minutes to cure this.

The problem may be caused by damping down the appliance during periods of extended burning.

4. **Problems with the flue**, in particular insufficient air pull. If the flue is not working efficiently the glass can blacken. A flue which has too much downdraft may be too short, needs lining, or has too many bends. This can also cause blackening of the stove glass. Contact the installer or a flue specialist for advice.
- 17.2 **Riddling Mechanism Jamming**
This occurs when ash builds up under the riddling grate preventing movement. To rectify:
 - Lift out the riddling mechanism (see *Installation Instructions, Section 5*) and remove all ash.
 - Replace riddling mechanism when cleaning is complete.
 - De-ash and clean the inside of the appliance regularly to avoid build up of ash and subsequent jamming of mechanism.
- 17.3 **Glass cracking**
Do not over tighten the screws on the glass clips when replacing the glass. This causes stress and the intense temperature changes can cause the glass to crack. For replacement glass contact your local Yeoman retailer.
- 17.4 **Appliance is producing tar**

This can be identified by:

- A very strong pungent smell shortly after the appliance is lit and heats up.
- Glass blackening.
- Thick, brown, sticky tar oozing from the pipe joints.

This is caused by burning damp wood and running the appliance at too low a temperature.

Use well seasoned wood and operate the appliance within the ideal temperature range.

Tar is a major cause of chimney fires. If the appliance experiences problems with tar build up consult a chimney sweep before continued use of the appliance.

USER INSTRUCTIONS

17.5 All or some of the radiators do not get hot

Burning wood	Wood is burning too slowly	Open up the airwash to make a hotter fire
		If fitted set the thermostat to a higher setting
		Burn dryer wood
		Burn better quality wood
		Reduce ashbed to 1" thick
Burning Solid Mineral fuels	Fuel is burning too slowly	Open up the primary air to make a hotter fire. If fitted, set the thermostat to a higher setting
		The fire needs riddling to remove ash. De-ash the fire
		Empty the ash pan.
All Fuels	Stove is not producing much heat.	Not enough fuel.
	System faults	Bleed the radiators to ensure there are no air locks.
		Incorrect system design seek professional assistance
		Too many radiators in the system exceeding the stoves capabilities.

17.6 In the unlikely event of a problem that cannot be solved by these tips contact your installer or retailer for help.

TECHNICAL SPECIFICATION

YEOMAN

Model			
Yeoman YM-CL8HB			
Nominal Heat Output	Wood	kW	8
	Solid Fuel	kW	8.6
Flue Draft at Nominal Heat Output	All Fuels	mm Wg	1.25
		inch Wg	0.05
Flue Outlet Size (Top or Rear Option)		mm	150
		inch	6
Minimum Hearth Type Required	Constructional = CH		CH
Weight	kg		140
Recommended Fuels	Wood	Seasoned wood (less than 20% moisture content)	
	Solid Fuels	Briquette smokeless fuel suitable for closed appliances. (Ancit - Phurnacite - Taybrite - Homefire ovals)	

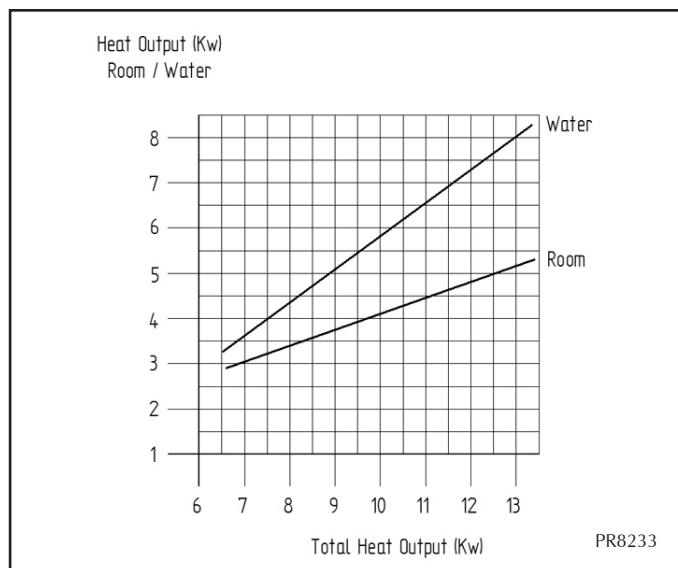
1. STANDARD FEATURES

- Primary Air (under grate air for full multi-fuel use).
- Airwash (for wood burning / clean glass).
- Riddling grate system for clean de-ashing.
- Top or rear flue exit option.

2. PACKING LIST

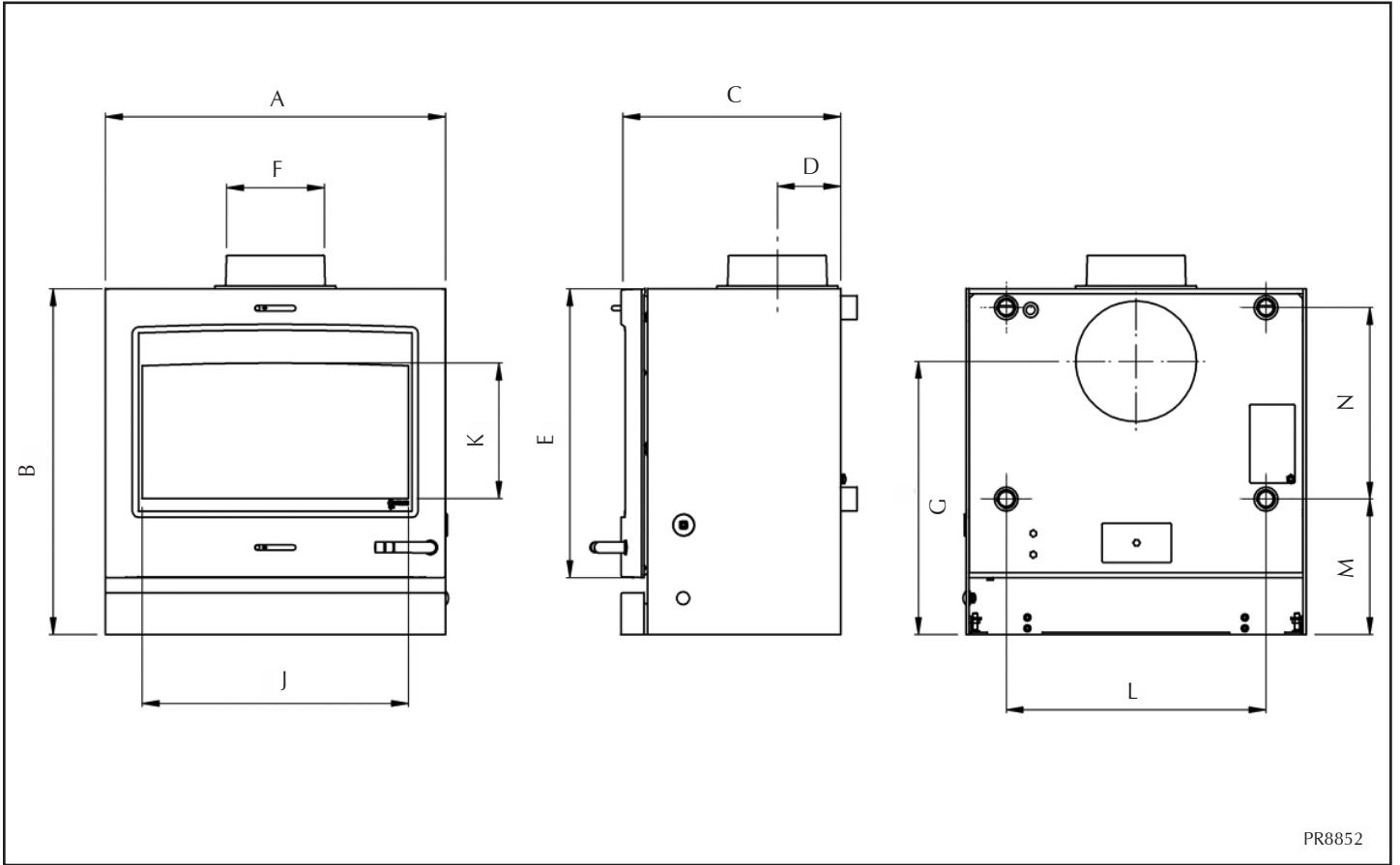
- User & Installer Instructions
- Guarantee card
- Pair leather gloves
- Ashpan
- Ashpan tool
- Riddling tool

BOILER OUTPUT CHART

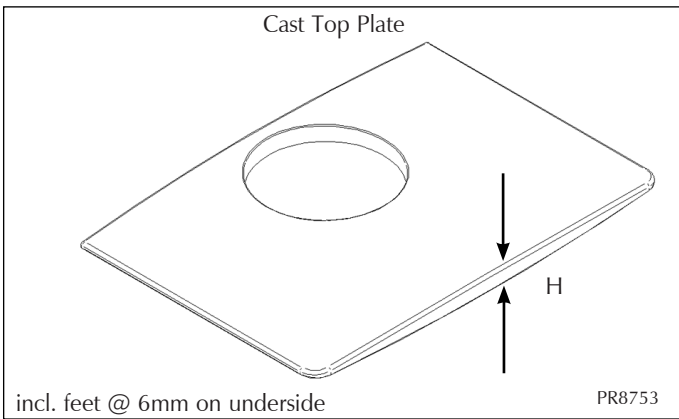


TECHNICAL SPECIFICATION

YEOMAN DIMENSIONS



PR8852



PR8753

Description	A	B	C	D	E	F (Ø)	G	H	J	K	L	M	N
Yeoman YM-CL8HB	563	572	363	105	478	153/6"	449	24	441	225	430	224	317

All dimensions are in mm (25.4mm = 1")

SITE REQUIREMENTS

1. FLUE OR CHIMNEY

- 1.1 The flue or chimney system must be in good condition. It must be inspected by a competent person and passed for use with the appliance before installation.

Products of combustion entering the room can cause serious health risks.

- 1.2 The following must be checked:
- The construction of the masonry chimneys, flue block chimneys and connecting flue pipe system must meet the requirements of the Building Regulations†.
 - A flexible flue liner system can be used if certified for use with solid fuel systems and installation complies with manufacturer's instructions and Building Regulations†. The flue liner must be replaced when an appliance is replaced, unless proven to be recently installed and in good condition.
 - If it is necessary to fit a register plate it must conform to the Building Regulations†.
 - The minimum height of the flue or chimney must be 4.5m from the hearth to the top of the flue, with no horizontal sections and a maximum of 4 bends. Bends must have angles of less than 45 degrees from the vertical.
 - Ensure the connecting flue pipe is kept a suitable distance from any combustible material and does not form part of the supporting structure of the building.
 - Make provision to remove the appliance without the need to dismantle the chimney.
 - Any existing flue must be confirmed as suitable for the new intended use as defined in the Building Regulations†.
 - The flue or chimney systems must be inspected and swept to confirm the system is structurally sound and free from obstructions**.
 - If the chimney is believed to have previously served an open fire it must be swept a second time within a month of regular use after installation to clear any soot falls that may have occurred due to difference in combustion levels.
 - The flue exit from the building must comply with local building control rules†.
 - Do not connect or share the flue or chimney system with another heating appliance.
- 1.3 Do not connect to systems containing large voids or spaces over 230mm square.

- 1.4 Suitable access must be provided to enable the collection and removal of debris.
- 1.5 The flue must be swept and inspected when the appliance is installed.
- 1.6 The flue draught must be checked with all windows and doors closed and any extraction fans in this, or adjoining rooms, running at maximum speed (see next section for additional ventilation requirements).

Max. Draught = 2.0mm Wg
Min. Draught = 1.0mm Wg

In the U.K.

*The design of the flue and chimney systems and products used should meet the requirements of ADJ along with any other relevant, National or European standards that may apply. Products should be specified with regard to the type of appliance, position within the building, fuels to be used and appliance operating temperatures.

**This should be done by a HETAS Approved Chimney Sweep (UK only) see page 27 / INFO registered (Republic of Ireland only) who will issue you with a certificate.

† Building Regulations Document J

Flue Plate:

Where a hearth, fireplace, flue or chimney is provided or extended (including cases where a flue is provided as part of refurbishment work), information essential to the correct appliance and use of these should be permanently posted in the building, to meet Requirement J4 of the Building Regulations (England and Wales), F3.12 (Scotland).

Additional:

A new factory made system that complies to EN 1856; Part 1 can be used providing installation is to the requirements of:

- BS 7566 Parts 1 -4
- the manufacturer's instructions
- Building Regulations.

For a guide containing information on Chimneys and Flues contact:

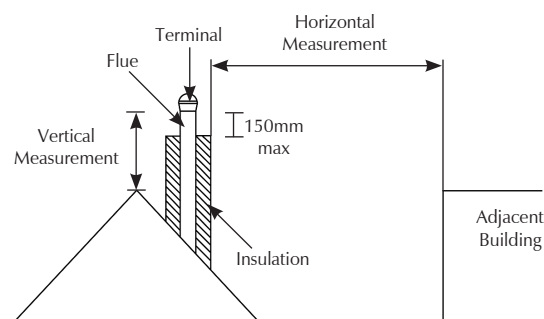
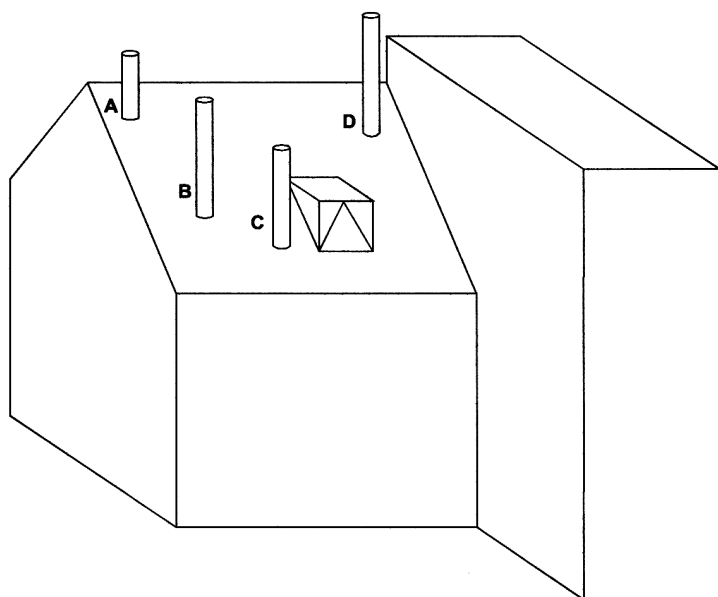
The British Flue & Chimney Manufacturers' Association,
FETA
2 Waltham Court
Milley Lane
Hare Hatch
Reading
Berkshire RG10 9TH

Tel: 0118 9403416

e-mail: info@feta.co.uk

SITE REQUIREMENTS

1. FLUE OUTLET POSITIONS

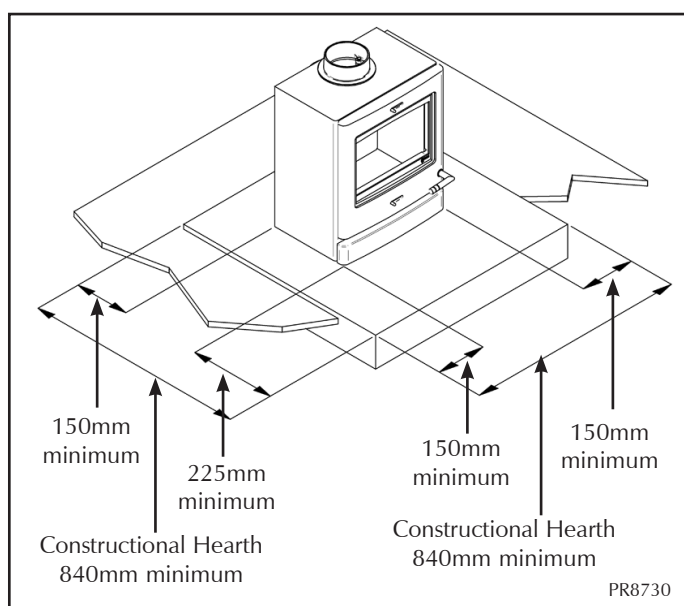


The vertical measurement is the lowest from either the point of discharge or 150mm above insulation.

IMPORTANT: Seek specialist advice if installing in a dwelling with a thatched roof

	Position On Roof	Minimum Clearances
A	On ridge or within 600mm	600mm above ridge
B	Elsewhere on roof	2300mm horizontally from roof surface and: a) 1000mm above highest point of flue exit from roof or b) as high as the ridge
C	On pitched, within 2300mm horizontally to openable window, dormer	1000mm above top of opening
D	Within 2300mm of another building	600mm above top of building

1. HEARTH DIMENSIONS

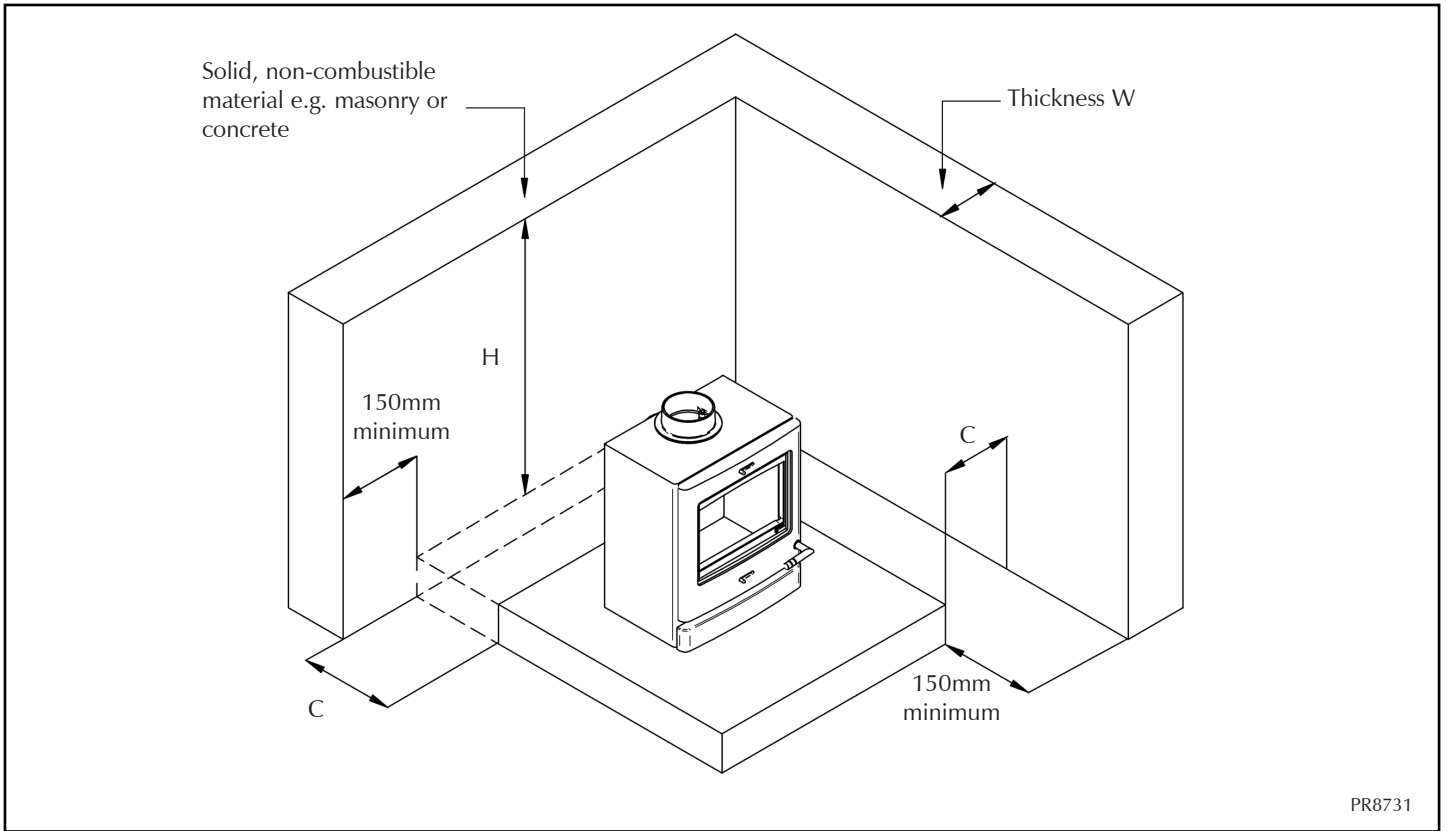


- 2.1 The appliance must stand on a non-combustible constructional hearth which is at least 125mm thick with the minimum dimensions as shown in diagram.
- 2.2 If this appliance can be installed in an elevated setting it is recommended to increase the 225mm hearth depth to safely contain any falling logs or embers. The higher the appliance is installed the deeper the hearth should be to avoid scorched floor coverings.
- 2.3 The building must have a suitable load-bearing capacity for the hearth and appliance. **Consult a structural engineer for advice before proceeding.**
- 2.4 When fitting into an existing hearth check that the hearth complies with current construction regulations and is at least the minimum sizes shown.
- 2.5 If there is no existing fireplace or chimney it is possible to construct a suitable non-combustible housing and hearth setting. The flue must be installed in accordance with all local and national regulations and current rules in force.

Check if adding a new chimney to your property requires planning permission.

SITE REQUIREMENTS

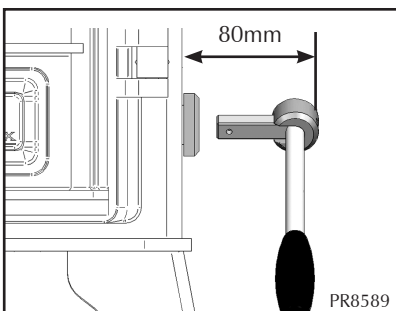
WALLS NEXT TO A HEARTH



Position of Appliance & Hearth in relation to walls		Requirement for the walls	
Distance of hearth from wall 'C'	Distance of Appliance to wall	Min thickness of Wall 'W'	Min height of wall 'H'
0mm	0mm - 50mm	200mm	Height of appliance + 300mm Or 1200mm from the hearth (take largest dimension)
0mm	51mm - 300mm	75mm	
0 - 150mm	150mm +	75mm	1200mm
150mm +	300mm +	No Minimum Requirement	

Suitable clearance should be allowed around the stove to enable the correct fitting and maintenance of the appliance.

Any clearances should be confirmed by making a site survey and a physical check of wall thickness and dimensions.



Note:

When installing a Multi-fuel appliance a minimum gap of 80mm must be left on the Right Hand Side so that the riddling tool can be comfortably engaged in the socket.

PRE-INSTALLATION CHECKS

1. FLUE

Model			
Yeoman YM-CL8HB			
Flue / Chimney Size	Without Liner System Round (diameter)	mm	150
		inch	6
	Without Liner System (square) Minimum Dimension	mm	135
		inch	5½
	With Liner or Factory Made System (diameter)	mm	150
		mm	6
Flue / Chimney minimum height*		m	4.5
		feet	15
*When measured from the top of the flue, with no horizontal sections and a maximum of 4 bends with angles of less than 45°			

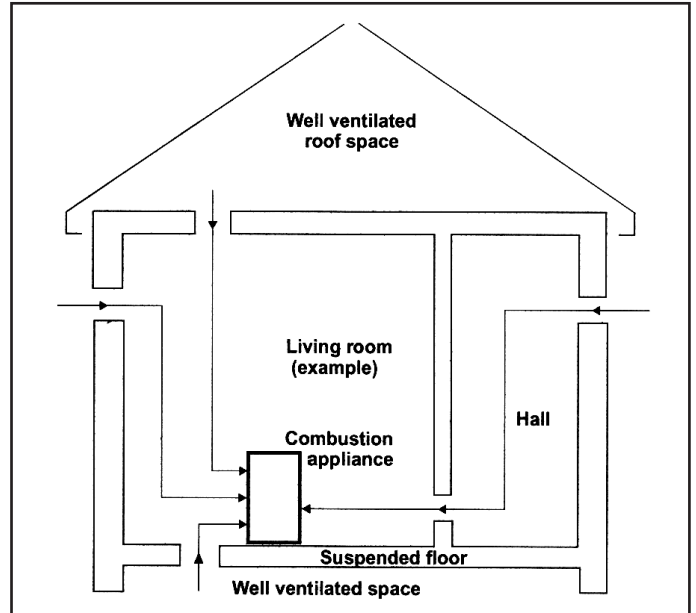
PRE-INSTALLATION CHECKS

2. VENTILATION

- 2.1 Additional ventilation will be required to suit the requirements of Building Regulations. This must be provided using a permanently open air vent, of the size listed, which is positioned so that it is not liable to be blocked both inside and outside the building.
- 2.2 The appliance will require additional ventilation as listed*:
- A) Building design permeability greater than 5.0m^3 (h.m²).
- B) Building design permeability less than 5.0m^3 (h.m²).

Model			
YM-CL8HB			
A	Additional Ventilation	mm ²	4400
		cm ²	44.00
		in ²	7.10
B	Additional Ventilation	mm ²	7150
		cm ²	71.50
		in ²	11.54

- 2.3 Permanent air vents should be non-adjustable and positioned where they are unlikely to be become blocked.
- 2.4 If vents open into adjoining rooms or spaces there must be an air vent of at least the same size direct to the outside.
- 2.5 Site the vents where cold draught is unlikely to cause discomfort. This can be avoided by placing vents near ceilings or close to the appliance, see diagram.



- 2.6 Extractor fans or cooker hoods must not be placed in the same room or space as this can cause the appliance to emit fumes into the room.
- 2.7 Increase air supply provisions where a room contains multiple appliances.
- 2.8 The need for additional ventilation may also be identified during the commissioning procedure and should be provided if needed.

An inadequate air supply to the room is potentially dangerous.

- 2.9 **If any checks reveal problems do not proceed with the fitting of the appliance until they have been rectified.**

* Changes to Document J, England & Wales, from 01/10/2010

INSTALLATION INSTRUCTIONS

LEGAL REQUIREMENTS

Before installation and/or use of this appliance please read these instructions carefully to ensure that all requirements are fully understood.

The appliance must be fitted by a registered installer*, or approved by your local building control officer.

It is very important to understand the requirements of the national Building Regulations[†] and standards[‡], along with any local regulations and working practices that may apply. Should any conflict occur between these instructions and these regulations then the regulations must apply.

Your local Building Control Office can advise regarding the requirements of the regulations.

The appliance must be fitted by a registered installer* or approved by your local building control officer.

Works must be carried out with care to meet the requirements of Health and Safety** and comply with the Health and Safety rules**, and any new regulations introduced during the lifetime of these instructions. Particular attention should be drawn to:

- **Handling:** The appliance is heavy. Adequate facilities must be available for loading, unloading and on site handling.
- **Fire Cement:** Some fire cement is caustic and must not come into contact with the skin. Protective gloves must be worn. Wash hands thoroughly with plenty of water after contact with skin.
- **Asbestos:** This appliance contains no asbestos. If there is the possibility of disturbing any asbestos in the course of installation seek specialist guidance and use appropriate equipment.
- **Metal Parts:** Take care when installing or servicing the stove to avoid personal injury.

A faulty installation can cause danger to the inhabitants and structure of the building.

For users of this appliance:

Your building insurance company may require you to inform them that a new heating appliance has been installed on your property. Check that your cover is still valid after installing the appliance.

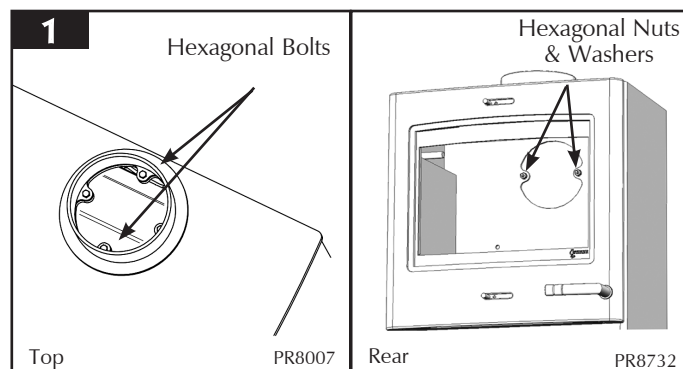
1. INSTALLING THE APPLIANCE

Each installation is unique to the property so it is not possible to give details to suit every setting. The installation must comply with Building Regulations[†] and be made using best practice construction methods.

Many fireplace openings have a supporting lintel. Do not remove without supporting the remaining structure of the building. Do not support the structure with the appliance or the flue system.

1.1 Take care when installing the appliance. Careless handling and use of tools can damage the finish and/or area.

Choose top or rear flue exit (see Diagram 1).

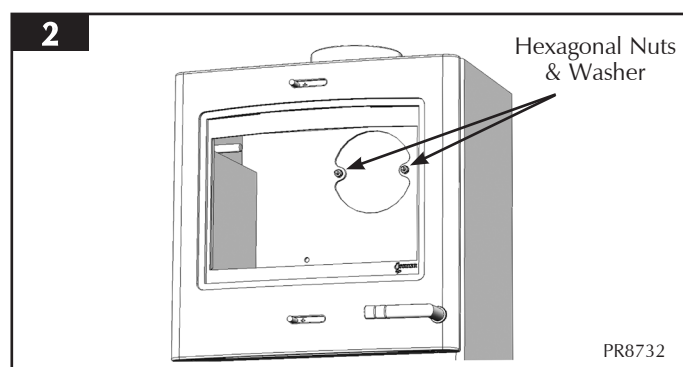


—Fit flue collar and blanking plate to suit.

—Attach flue collar to top or rear with hexagonal bolts (see Diagram 1).

—Seal with fire cement.

—Secure blanking plate with hexagonal bolts (see Diagram 2).



1.2 Top flue pipe installation:

—Lift appliance into position, taking care not to damage the hearth finish.

—Level the appliance.

—Connect appliance to the chimney using flue pipe.

—Secure with self tapping screw.

—Seal the connecting joints.

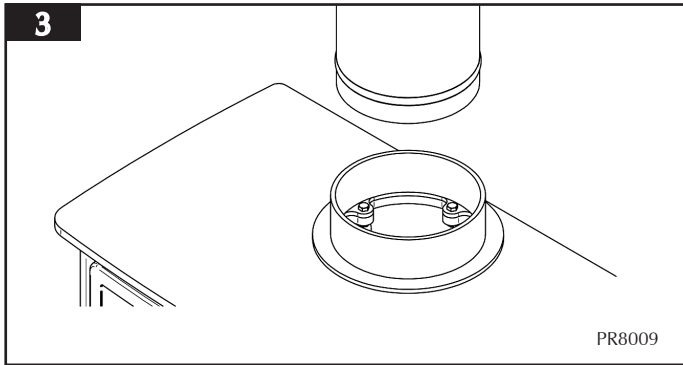
[†] England and Wales – Document J / Scotland - Part F / Document J (Republic of Ireland only).

[‡] BS 8303, BS 6461, BS 7566

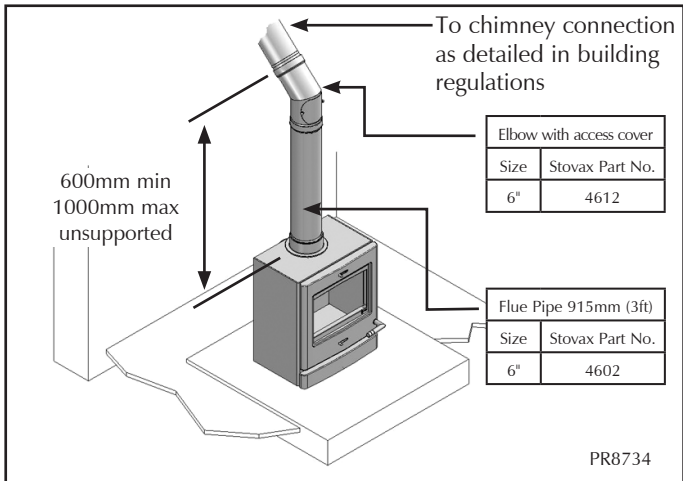
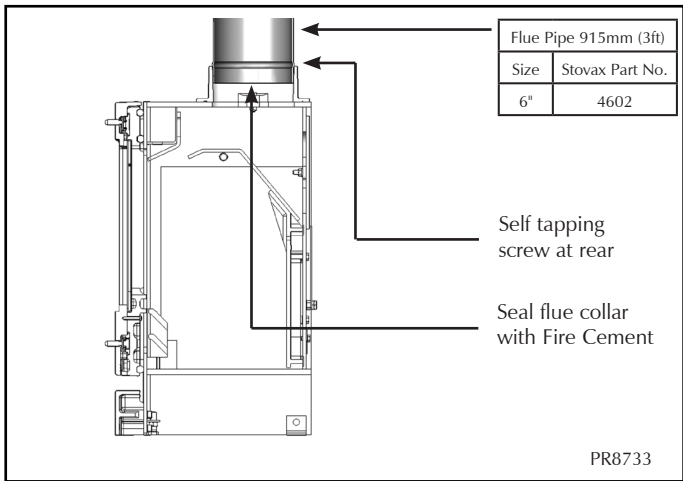
*Registered on the Competent Persons Scheme (GB only) see page 35 / INFO (Republic of Ireland).

**Health and Safety at Work Act 1974

INSTALLATION INSTRUCTIONS



The flue must be installed in accordance with manufacturers instructions.



1.3 Rear flue pipe installation:

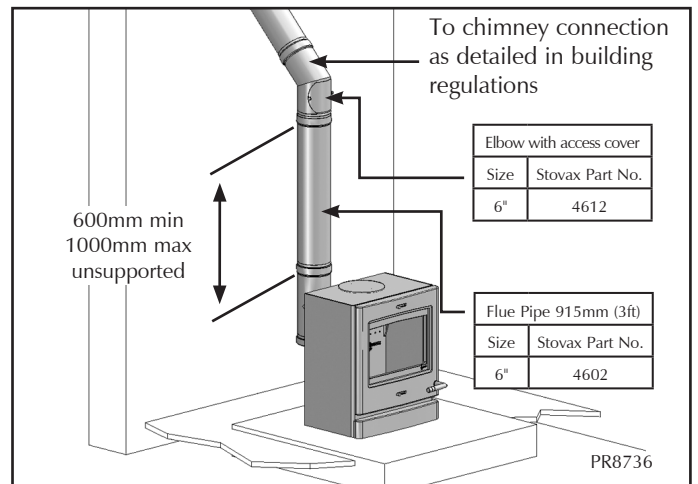
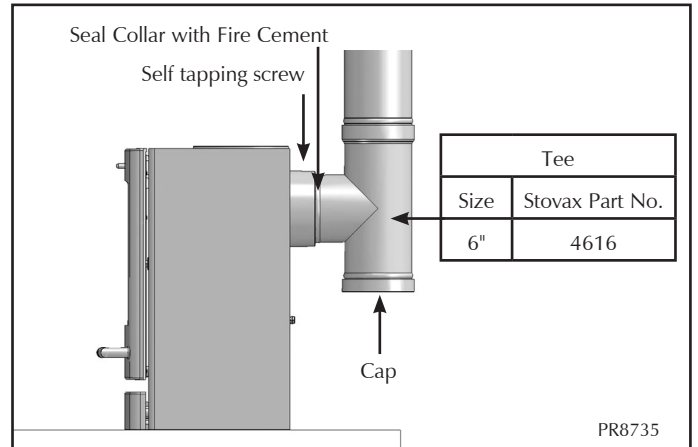
- Insert a tee into the flue collar. The tee piece is used as cleaning access.
- Lift appliance into position, taking care not to damage the hearth finish.
- Level using adjustable bolts.
- Connect tee to the chimney using flue pipe.

—Secure with self tapping screw.

—Seal the connecting joints.

Do not use a 90° elbow to make this connection.

The flue must be installed in accordance with manufacturers instructions.



2. REMOVAL OF THE LOG GUARD

2.1 To remove the Log guard:

- Lift Log Guard clear of the supporting brackets.
- Rotate to clear the sides of the door opening.

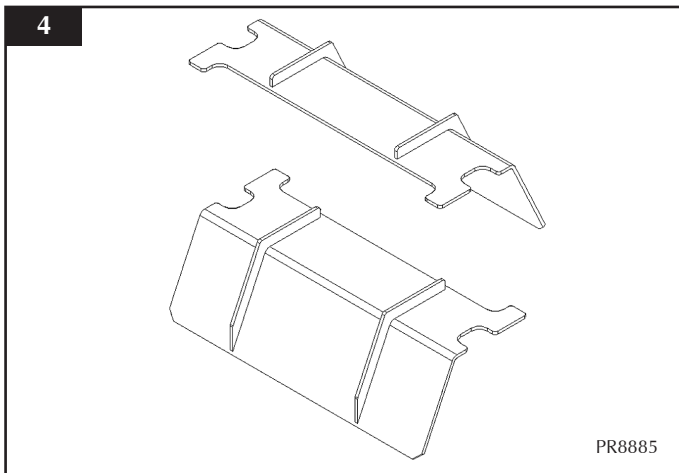
Do not use appliance without the log guard in position.

INSTALLATION INSTRUCTIONS

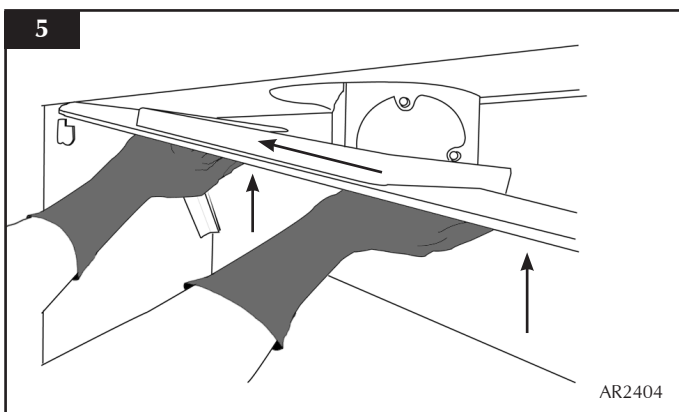
3. FITTING AND REMOVAL OF THE BAFFLE

No tools are required.

- 3.1 To maintain efficient combustion the appliance is fitted with a baffle system that allows for secondary combustion (see Diagram 4).

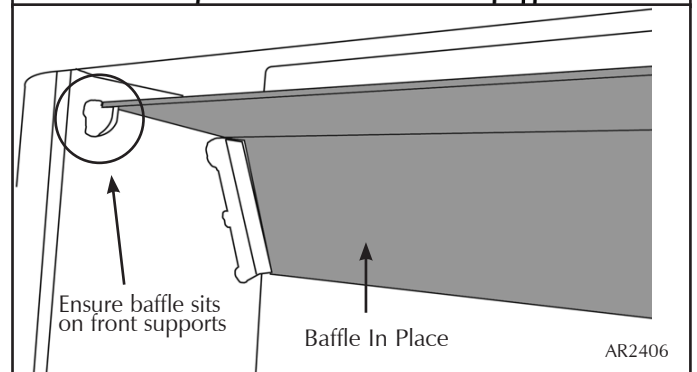
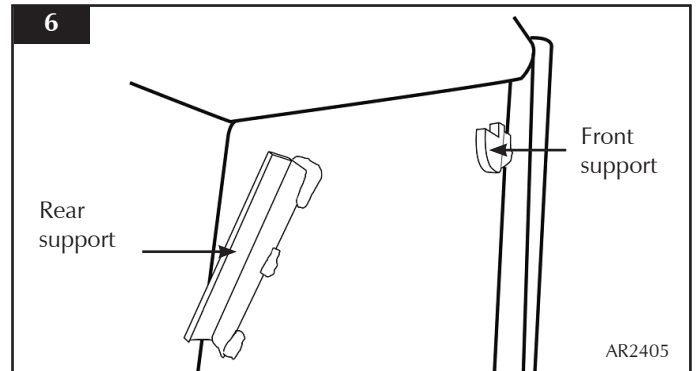


- 3.2 First remove the log guard from the stove to give access to the firebox.
- 3.3 Use both hands to lift the baffle vertically and slide to one side (see Diagram 5). Always wear gloves when handling appliance parts.



—Using both hands rotate the baffle to remove from the firebox through the door opening.

- 3.4 To replace the baffle repeat the above steps in reverse, ensuring the baffle fits over the supports on the sides of the interior (see Diagram 6).



Do not modify the baffle.

4. REMOVAL OF RIDDLING MECHANISM

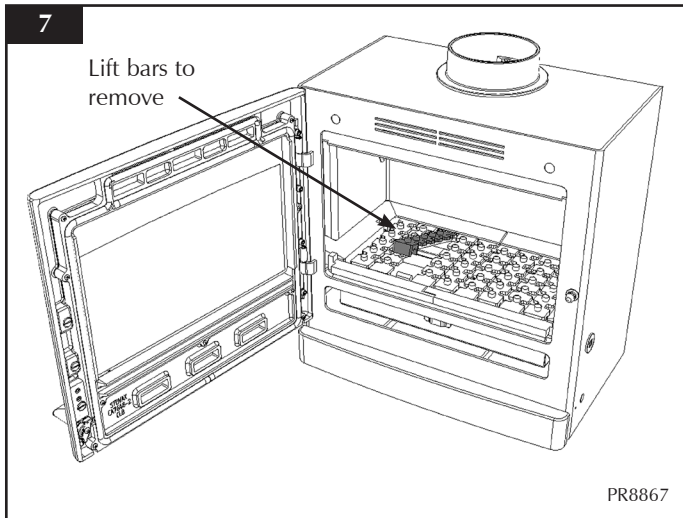
- 4.1 **THE MULTI-FUEL GRATE CAN BE REMOVED FOR CLEANING TO MAINTAIN GOOD WORKING CONDITION.**

To remove the grate:

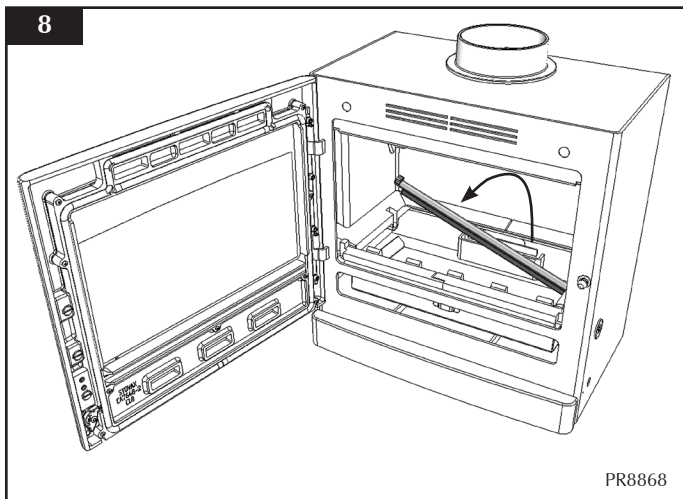
- Remove the baffle (see Section 3).
- Remove the log guard to enable access (see Section 2).
- Remove the ashpan.
- Remove the riddling bars (see Diagram 7).

FOR CLARITY, THE FOLLOWING DIAGRAMS DO NOT INCLUDE ILLUSTRATIONS OF THE DOORS.

INSTALLATION INSTRUCTIONS

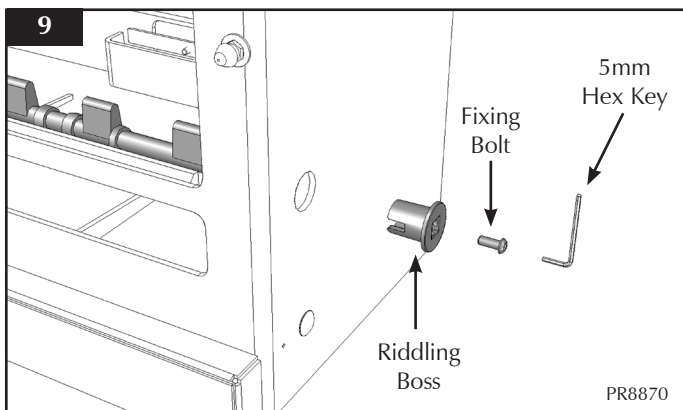


— Remove Rear Bar (see Diagram 8).



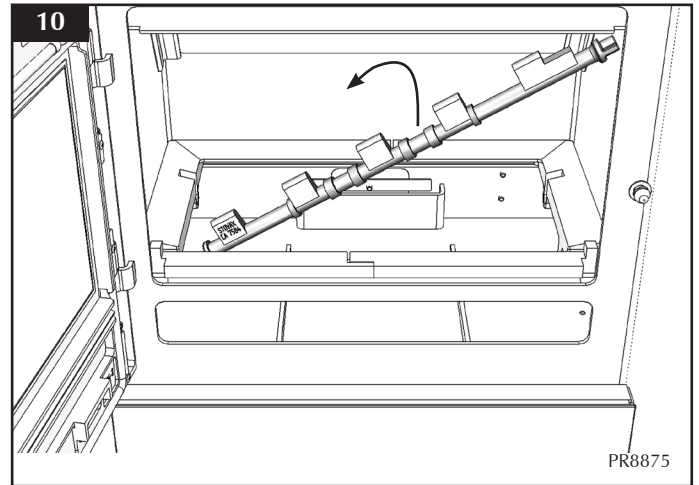
To remove the Riddling Boss:

— Use the 5mm hex key as shown in Diagram 9.



— Unscrew the boss.

— Remove Riddling Cam Bar (see Diagram 10).

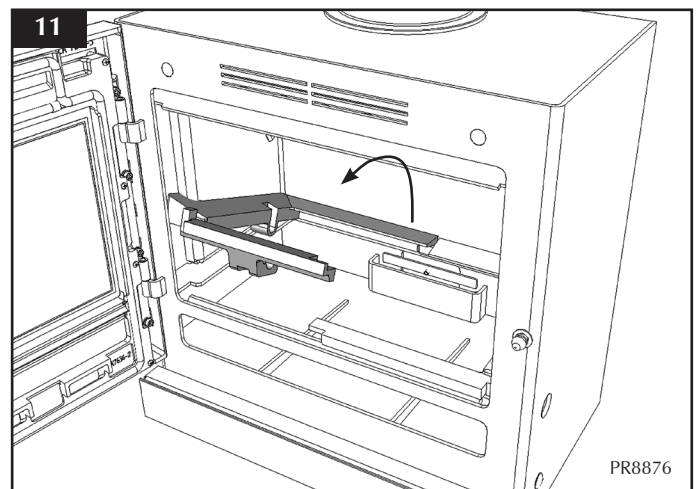


To remove Multi-fuel frames:

— Lift frames from the front.

— Remove right hand side first through the front of the stove.

— Repeat for the left hand side.



— Replace in reverse order.

INSTALLATION INSTRUCTIONS

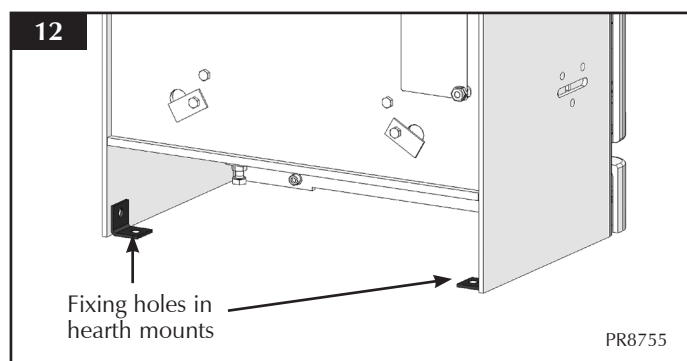
5. HEARTH FIXING

5.1 If the appliance is to be fixed to the hearth then use the hearth mount locking tabs shown in Diagram 12.

—Position the appliance where required on the hearth and mark the location of the two fixing holes in the hearth mounts.

—Drill the required sized holes into the hearth.

—Use suitable fasteners to fix in place.



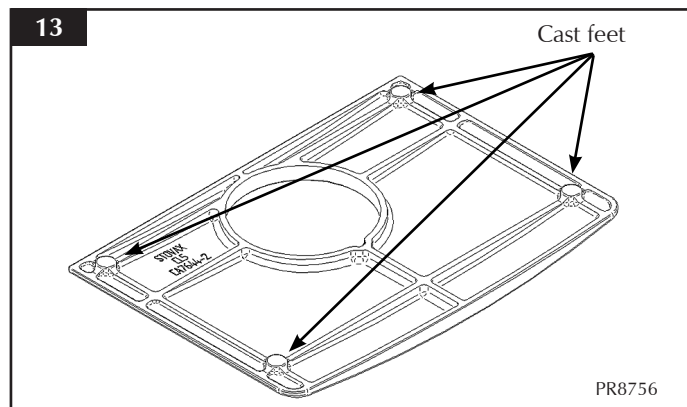
6. CAST TOP

This appliance can be fitted with an optional cast top plate. The type of plate will depend on whether the appliance is installed with a top* or rear flue exit.

	Top Flue	Rear Flue
Yeoman CL8	YM-CL8CT	YM-CL8CTR

* The cast top must be fitted at the same time as the flue connection (see *Installation Instructions, Sections 1 & 6*).

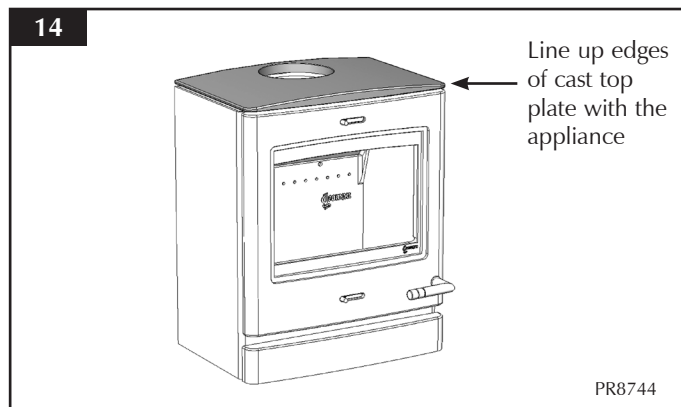
6.1 The cast top plate has 4 cast feet on the bottom to space it off the top of the appliance by 6mm and allow the door to open freely.



6.2 Place the cast top plate feet down on top of the appliance.

—Ensure the cast top is flush with the front and sides of the appliance.

—For the top flue version, position the cutout over the flue ring.



INSTALLATION INSTRUCTIONS

CENTRAL HEATING SYSTEM

1. General

This appliance gives out heat in two ways:

- Directly into the room in which it is fitted through convection and radiation.
- Hot water to heat radiators and domestic hot water.

The installation must comply with building regulations and use best practice advice.

2. Boiler Sizing

- 2.1 It is very important to determine the correct size of appliance for the house:
- Too big a boiler will run too hot and will not be efficient.
 - Too small a boiler will not maintain the desired temperature.

- 2.2 Size the boiler correctly by calculating the following heat loads:

RADIATORS - the amount of heat required to run the radiators efficiently. The correct size of radiator depends on the required temperature for the room, the room heat losses and the radiator manufacturer's guides.

HOT WATER - the amount of heat required to provide the desired amount of domestic hot water.

LOSSES – the amount of heat lost in pipe work - typically 10% of the combined radiators and hot water loads. There are national guidelines for calculating these figures*.

- 2.3 Careful consideration must be given to where the appliance is fitted. It must be sized correctly for the heat load required and the size of the room. These requirements can be found in the *Technical Specifications*.
- 2.4 All Stovax appliances are thermostatically controlled. The burning rate is adjusted to the demands of the connected heat load. If the radiators do not require heat then the thermostat will act to shut down the appliance and the direct heat output to the room where it is fitted will reduce (see heat output graph on page 15 to show the ratio between direct heat output and water heat output). To prevent the room becoming too cold, fit a thermostatically controlled radiator as well as the appliance.

3. Hot Water Cylinder

- 3.1 The domestic hot water cylinder must be an indirect vented double feed type to meet national standards** and should have a minimum capacity of 117 litres. Houses with more than one bathroom or a separate shower will need a bigger tank.

Fully insulate the tank.

The water draw off pipes to the taps should be in a dead leg connection from the vent pipe.

4. Open Vent And Cold Feed System

- 4.1 This system must be fitted with a minimum of 22mm diameter open vent discharging into a heat resisting feed and expansion tank. There must be at least 25mm air gap between the end of the pipe and the water level. The cistern tank should have an overflow with a minimum diameter of 22mm

The cold feed must be a minimum 22mm and enter the system as the last connection on the common boiler return.

The open vent and cold feed must not be fitted with any valves, manual or automatic.

Do not use plastic pipe in any part of the flow and return.

5. Heat Leak Radiator

- 5.1 A heat leak radiator must be fitted in the gravity circuit to dissipate any excess heat produced from the boiler when connected demand is low. The domestic hot water cylinder may not be able to disperse heat at all times due to modern insulation. This radiator is commonly fitted in the bathroom and should be rated at 2kW (6500 btu) or 10% of the total boiler output.

This radiator ensures that the appliance is not shut down completely for long periods resulting in the fire going out.

Fit the heat leak radiator in the gravity circuit using 22mm pipe reducing to 15mm for no more than 300mm before the radiator.

Fit the radiator with two 'lock-shield' valves that are set in the fully open position and cannot be shut down. Use diagonal connections. Do not fit thermostatic valves or manually adjustable valves to the heat leak radiator.

INSTALLATION INSTRUCTIONS

6. Pump

- 6.1 Where a pump is fitted into the circuit it should be adjustable so that the flow can match the system requirements. Fit isolation valves to enable removal for servicing. The pump must have at least 1.5 meters of static head.

7. Electrical Supply

- 7.1 Electrical connections must meet the requirements of national Building Regulations* and standards**, along with any European, local regulations and working practices that may apply. Should conflict occur between these instructions and these regulations then the regulations must be followed.

The connection to the mains supply should allow complete electrical isolation and only serve the heating circuit pump.

All water connections should be completed by a competent person to meet the requirements of local water authority by-laws.

CONVENTIONAL PIPE WORK SYSTEMS

All pipe work must be able to operate at above 100 degrees Celsius. Any pipe work installed in an exposed position e.g. loft space must have provision to prevent freezing.

Ensure the pipe work system has sufficient drain points to enable the complete removal of water for the purposes of servicing.

8. Gravity Pipe Circuit

- 8.1 To prevent the risk of boiling it is essential to arrange the pipe work and position the hot water cylinder and heat leak radiator so that gravity circulation can take place when the pump is not running. Position the cylinder and the radiator vertically above the boiler with sufficient height to encourage gravity flow.
- 8.2 Horizontal pipe work in a gravity system must have an incline of at least 5mm in every 1000mm and a minimum diameter of 28mm. Vertical pipe must have a minimum diameter of 22mm.
- 8.3 Any motorised valves fitted in this circuit must return to the fully open position when the power is interrupted.

9. Pump Assisted Central Heating

- 9.1 The most common arrangement is to have a pumped central heating circuit combined with a gravity hot water circuit. This arrangement requires careful balancing of the two in order to avoid the gravity circuit being starved when the pump is running.

To overcome this problem it is common practice to fit an injector tee where the pumped central heating return re-joins the gravity return from the hot water cylinder. This injector tee induces a much stronger gravity flow when the pump runs.

Only use proprietary injector tees, homemade ones are difficult to get right.

- 9.2 When installing a system that has pumped central heating and gravity hot water it is recommended to use all 4 boiler tapings. Each flow and return should be diagonally opposite each other.

10. Fully Pumped System

- 10.1 In many installations (especially new build) a fully pumped system is the best choice to give increased control.

WARNING - To prevent the risk of boiling it is essential to arrange the pipe work and position the hot water cylinder and heat leak radiator so that gravity circulation can take place when the pump is not running. Any motorised valves fitted in this circuit must return to the fully open position when the power is interrupted.

11. Sealed (Pressurised) System

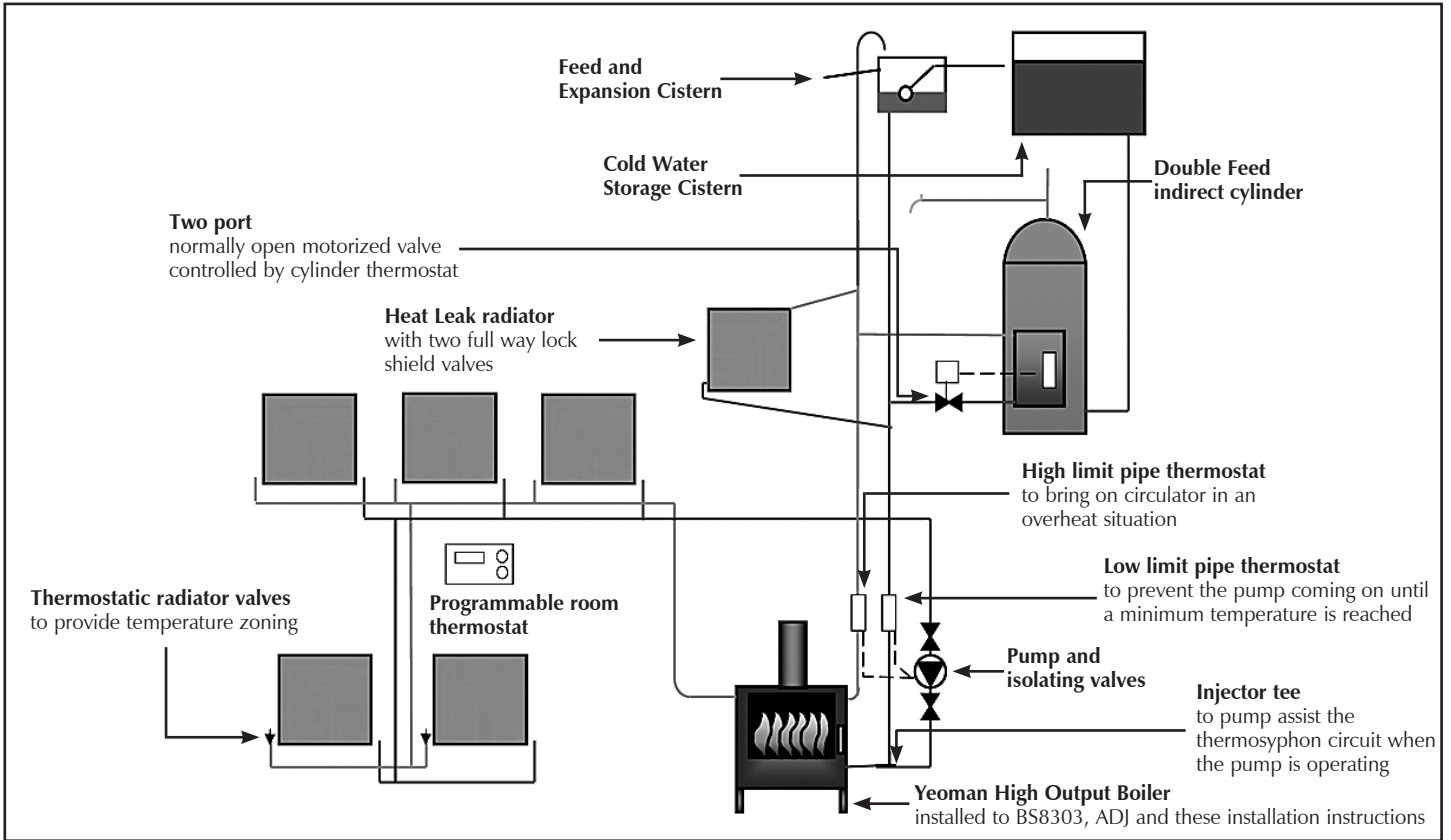
- 11.1 Do not fit this appliance to sealed or pressurised systems or an unvented hot water cylinder.

12. Pipe work Diagrams

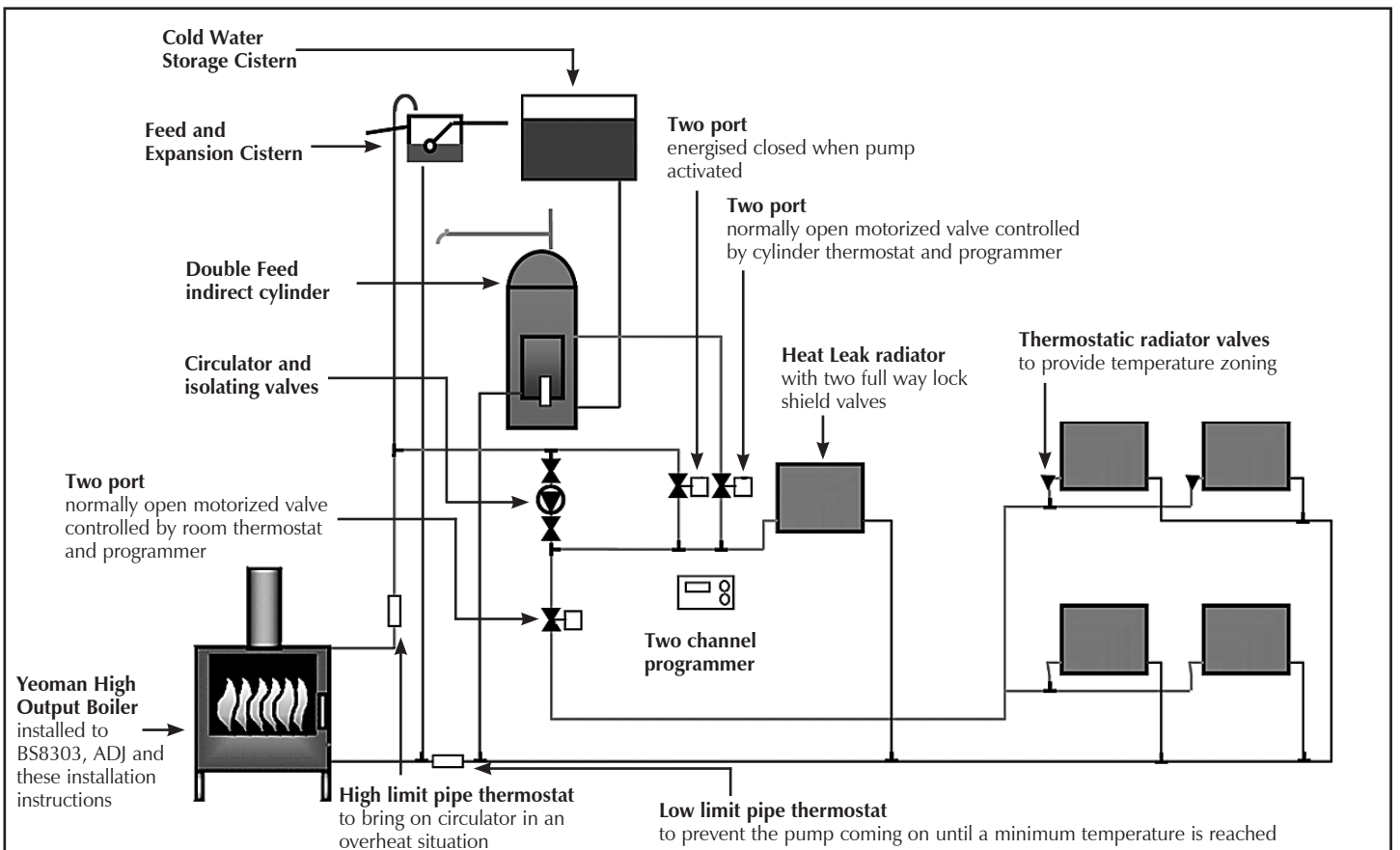
- 12.1 See over for a typical layout of a pumped central heating and gravity hot water circuit.

INSTALLATION INSTRUCTIONS

See below typical layout of a pumped central heating hot water circuit with gravity.



See below typical layout of a fully pumped central heating and hot water circuit.



HEATING SYSTEM CONTROLS

CONTROLS GENERAL

- 1.1 The controls fitted to the system will provide two functions:
- To control the comfort level in the house.
 - To maintain safety in the event of misuse or mechanical failure.

COMFORT CONTROLS

- 1.2 This primarily consists of a time clock wired into the pump. The pump is switched on when heat is required and when it is not, the pump is switched off.

The time clock, when combined with a room thermostat and or thermostatic radiator valves, enhances the comfort levels in the house.

Some room thermostats combine the function with the time clock and can be programmed to reduce the room temperature rather than turning the system off. This is effective in not allowing the rooms to become too cold and speeding up recovery time.

- 1.3 The hot water cylinder can also be fitted with a thermostatic valve which turns off the flow when the cylinder has reached the desired temperature but the heat leak radiator will have to be bigger to cope with the extra load when the tank is isolated.

SAFETY CONTROLS

- 1.4 This primarily consists of a high limit thermostat fitted to the gravity flow pipe set at 80°C, this thermostat should be connected to the pump so that the pump is turned on if the temperature exceeds 80°C. This will prevent accidental boiling in the gravity circuit.
- 1.5 It is also recommended to fit a low limit thermostat on the central heating return set at 45°C, this thermostat will turn the pump off if the return temperature falls below 45°C. This will prevent corrosion and condensation within the stove.

CONDENSATION

- 1.6 When filling the boiler with water for the first time, the cold water entering the water jacket can cause condensation to form on the surfaces of the appliance (inside and outside).
- 1.7 In certain conditions this condensation could result in a considerable amount of water, in some cases enough to fill the bottom of the appliance. This could be even worse if the house has recently been re-decorated, wet plastered or any other work has been undertaken which could result in high humidity.
- 1.8 Precautions must be taken to ensure that this build up of condensate does not overflow from the appliance onto any surrounding fabric of the room e.g. carpets.

NOTE - THIS CONDENSATION IS NORMAL DURING FILLING AND DOES NOT INDICATE A FAULTY OR LEAKING STOVE.

NORMAL RUNNING

- 1.9 During normal running this condensation should be minimal if the system is fitted with the low limit thermostat as detailed in 1.22 (above). This low limit thermostat prevents the system pump from running until the stove has reached temperature.

SEASONAL USE

- 1.10 If this appliance is unused for lengthy periods of time it should be periodically checked to ensure that condensation is not building up within the stove.

NOTE – THIS CONDENSATION IS NORMAL AND DOES NOT INDICATE A FAULTY OR LEAKING STOVE.

If the stove is going to be unused for very long periods of time it is recommended to drain the system.

NOTE – Further information on solid fuel central heating systems can be found in the HETAS engineers training manual.

LINK UP SYSTEMS

For information on how to link solid fuel boilers to other heating appliances see Information For Dual System Link Up Methods (PM286). This can be obtained through Stovax.

Call (01392) 474011, email info@stovax.com or visit www.stovax.com for details.

Always seek the advice of a competent person* before linking another heating system to a solid fuel boiler.

In the U.K.

* Registered on the Competent Persons Scheme (GB only) see page 35 / INFO (Republic of Ireland).

COMMISSIONING

COMMISSIONING

- 1.1 To commission:
 - Replace the log retainer.
 - Check the door alignment and catch operation, adjust if required (see Maintenance & Servicing, Section 7, Adjusting Door Hinges).
 - Check the soundness of door seals, castings and joints.
 - Check the operation of the air controls.
 - Ensure the system has been filled with water and includes a suitable inhibitor.
- 1.2 Now carry out a final smoke draw test:
 - First warming the flue with a blowlamp, or similar, for about 10 minutes.
 - Place a smoke pellet on the centre of the grate, with the air controls open.
 - Close the door. Smoke should now be drawn up the flue and be seen to exit from the flue terminal.
 - Complete test with all doors and windows closed in the room where the appliance is fitted.
 - If there are any extractor fans in adjacent rooms, the test must be repeated with the fans running on maximum and interconnecting doors open.
 - Check the effect of ceiling fans during the test.

If the test fails, re-check the suitability of the flue system and ventilation. An inadequate air supply to the room is potentially dangerous.

- Light the appliance and slowly increase the temperature to operating levels.
- Ensure no combustion products enter the room.
- Open the main fire door when the appliance reaches operating condition and carry out a spillage test with a smoke match or pellet around the door opening.
- Run the system up to temperature.

BALANCING THE SYSTEM

It is essential to balance the central heating system in order to achieve an even heating performance across all of the radiators in the house. Balanced means each radiator having a 10°C difference in temperature between the flow and the return, ideally 80°C flow and 70°C return.

Have the system running and adjust the appliance thermostat so that the flow temperature measured near the appliance is approximately 80°C. Ensure that all valves including lock-shield valves are in the fully open position and the pump is at its estimated correct speed. If there are thermostatic radiator valves, have these on maximum setting and ensure that they do not activate.

Ensure that the radiators have been bled of air.

Write down the return temperature of each radiator in turn and its difference to the flow temperature at the appliance. Make sure that the flow temperature remains constant.

The radiator with the greatest difference (the index radiator) and any other radiator within 1 degree should be left with the lock-shield fully open. The remainder of the lock-shield valves should be closed to about 1/3 open. Leave the system to stabilise, this could take some time.

When the system has stabilised, write down the new difference between the flow and return temperatures and any which differ from the index radiator by more than 1 degree will need further adjustment, some valves will have been closed too much and others not enough, usually the adjustments need to be only a fraction of a turn at a time. Leave sufficient time for the system to stabilise after each adjustment.

When the radiator temperatures are starting to become consistent, but before final adjustments, the index radiator needs to be considered, if the return temperature of this radiator is not near 70 degrees then the pump will need to be adjusted to either provide more (to increase the temperature) or less flow to decrease the temperature. Again, sufficient time will need to be left to allow the system to stabilise after adjusting the pump speed.

When the radiator flow and return temperatures are correct the final adjustments can be made and the lock-shield covers replaced.

Knowing how far to shut down a valve to get the desired change in flow and return temperature, and knowing how long to wait for the system to stabilise, takes a little time and practice.

- 1.3 If excessive spillage occurs:
 - Allow the appliance to cool and re-check the flue system and ventilation.
- 1.4 **Finally:**
 - **Explain the safe operation of the appliance and the use of the controls to the user and the importance of only using suitable fuels.**

All open flued appliances can be affected by temporary atmospheric conditions which may allow fumes to enter the house. Because of this it is recommended that an electronic carbon monoxide detector conforming to BSEN50291 be fitted and maintained.

- **Explain the cleaning and routine maintenance requirements.**
- **Explain the requirement to use a suitable fireguard when children, elderly or infirm persons are near the appliance.**
- **Record dealer/supplier and installer details in *Appliance Commissioning Checklist* (page 3, Instructions for Use).**
- **Record serial number in *Appliance Commissioning Checklist* (page 3, Instructions for Use).** This number is required when ordering spare parts and making warranty claims.
- **Give the copy of the *Instructions* to the customer.**

MAINTENANCE and SERVICING

For a complete list of spare parts and accessories contact your Yeoman retailer or call 01392 474011

1. ANNUAL SERVICE

- 1.1 Before the start of the heating season strip, inspect and clean the appliance as detailed:
- Allow appliance to cool.
 - Remove all internal parts: baffle, log guard and, for multi-fuel versions, grate system and ashpan (see *Installation Instructions, Sections 2, 3, 4*).
 - Sweep the appliance at this point if necessary.
 - Vacuum clean any remaining ash and debris from the inside of the appliance. Stovax offer a filter/ collection attachment for vacuum cleaners to protect them from fire ash: Ash Clean (Stovax Part No. 2091).
 - Clean the internal surfaces of the appliance using a wire brush and scraper as required. Vacuum and brush the resulting debris from the appliance.
 - Clean the grate parts with a wire brush, and check the parts for any damage. Replace any damaged parts using genuine Stovax replacements parts (see below for details).
 - Re-fit cleaned internal parts.
 - Remove glass from door, discard all old rope seals and fit new (see *Maintenance and Servicing, Section 5*).
 - Clean the door glass using Stovax Glass cleaner and a soft cloth. **Do not use abrasive cleaners on glass.**
- Do not use acidic cleaners on printed glass.**
- Fit new door rope seal (see *Maintenance and Servicing, Section 6*).
 - Lightly oil the door catch mechanism and hinge pins. Avoid getting oil onto the door seals and glass.
 - To refresh painted finishes use Stovax paint.
- 1.2 Use genuine Yeoman replacement parts to keep the appliance in safe, efficient working order. This is a list of the maintenance products that may need be required:

This is a list of the maintenance products you may need to use:

Task	Product name	Stovax Code Number
Glass cleaning	Stove glass cleaner (spray on)	4103
Preventing build-up of creosote in flue	Protector (15 sachets)	7002
	Protector (1kg tub)	7025
Sealing flue pipe joints	Fire Cement (500g tub)	2020
	Fire Cement (600g cartridge)	2021
Re-painting	Riva Midnight Black (150ml aerosol)	RVAC011
Protecting your hands	Heat resistant leather gloves	YM-E00007
Ash Clean	Vacuum Cleaner Attachment	2091
Thermic seal glue	(50ml bottle)	5037
Door sealing rope	14mm Black rope seal (handy pack)	5000
	14mm Black rope seal (25m reel)	4670H
Glass sealing rope	15mm x 2mm x 2m	4950
	15mm x 2mm x 25m	4954
Mid door sealing rope	15mm x 2mm x 2m	4952
	15mm x 2mm x 25m	4957

These products, available from your local Yeoman retailer, along with regular maintenance and use of correct fuels, will keep the appliance in the best possible condition.

- 1.3 For more information about the Yeoman products please visit our web site at www.yeoman-stoves.co.uk
- 1.4 Burn at a low temperature for the first day of use after any maintenance. This allows the seals, fixing glues and paint to fully cure.
- 1.5 During this time the appliance may give off some unpleasant odours. Keep the room well ventilated to avoid a build-up of fumes.
- 1.6 Your Yeoman retailer can carry out service and maintenance.

MAINTENANCE and SERVICING

2. REMOVAL OF THE LOG GUARD

- 2.1 To remove the Log guard:
- Lift Log Guard clear of the supporting brackets.
 - Rotate to clear the sides of the door opening.

Do not use appliance without the log guard in position.

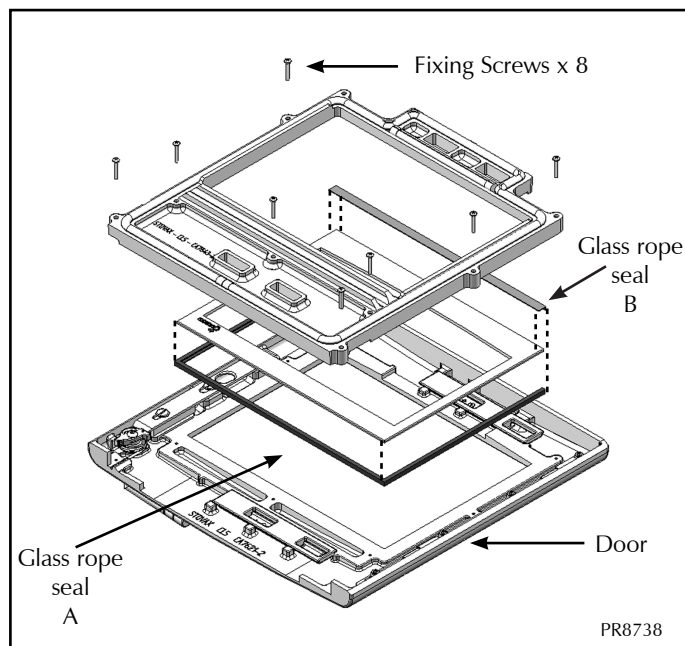
3. FITTING AND REMOVAL OF BAFFLE

- 4.1 See *Installation Instructions, Section 3*.
- 4.2 It is important to remove and clean the Baffle system to ensure the flue ways are clear of soot and debris and to ensure the safe and efficient operation of the stove. The frequency of cleaning depends on the stove operating conditions.
- 4.3 The baffle system is designed to give safe and efficient operation of the stove. Replace any damaged baffle immediately.
- 4.4 Do not modify the baffle system.

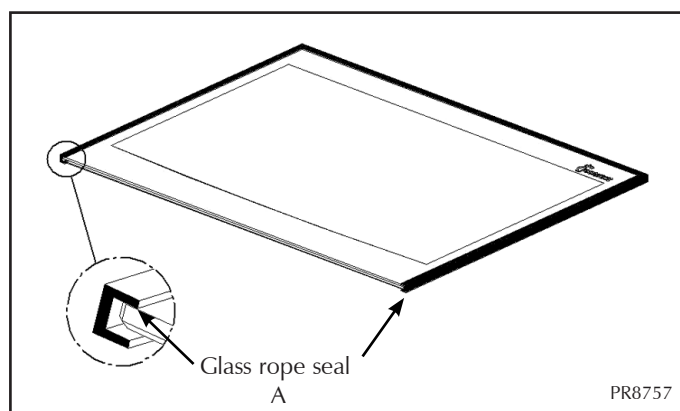
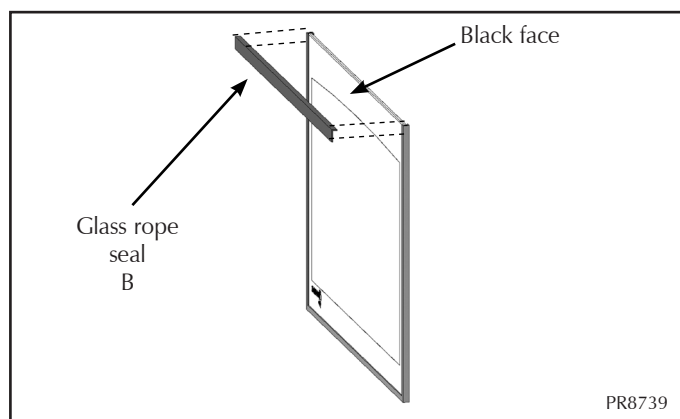
5. FITTING A NEW DOOR GLASS

- 5.1 To maintain safe use of the appliance damaged door glass must be replaced immediately. To do this:
- Open door and lift free of hinge blocks.
 - Lay door face down on a soft flat surface to protect the paintwork and glass.
 - Remove the glass clamp and screws x 8. The old glass can then be lifted clear of the door. **Note how the sealing rope is placed around the glass.**

Dispose of the old glass safely.



Seal	Length (mm)
Glass rope seal A	1220
Glass rope seal B	460



MAINTENANCE and SERVICING

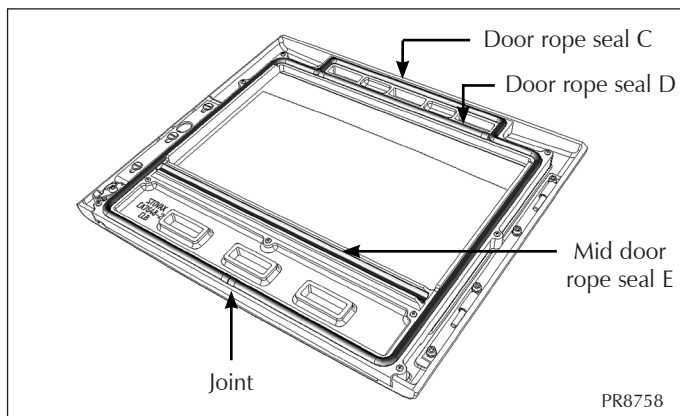
- Clean, and re-paint, the rear of the door if required.
- Clean the screws with light oil.
- Coat with high temperature anti-seize grease to aid future removal.
- Carefully wrap glass sealing rope (A) round the sides and bottom edge of the glass.
- Fix glass sealing rope (B) to the matt black side of the top face as shown in diagram above.
- Place the glass into position in the door.
- Place the glass clamp into position.
- Re-fix with the clean fixing screws.
- Tighten the screws evenly until the clamp holds the glass.

Do not over tighten the clamp as this could break the glass.

- 5.2 Fit only Yeoman ceramic glass, which is suitable to use in high temperature applications.
- 5.3 Using the appliance with damaged door glass could allow dangerous fumes to enter the room, or the appliance to over-fire and cause damage.

6. FITTING A NEW DOOR SEAL

- 6.1 To maintain the safe use of your appliance you may need to replace a damaged or worn door sealing rope. To do this:
- Open the door.
 - Lift it free of the hinge blocks.
 - Lie the door face down on a soft flat surface, to protect the paintwork and glass.



Seal	Length (mm)
Door rope seal C	2300
Door rope seal D	410
Mid door rope seal E	450

- Remove the old rope.
 - Scrape old glue from the locating groove.
 - Clean the locating groove with a clean dry cloth removing all dust and debris.
 - Apply Stovax Thermic Seal glue (Stovax Part No. 5037) into the rope locating groove.
 - Press the new rope into the locating groove, placing the joint in the middle of the lower edge of the door.
 - Refit the door.
 - Close to apply pressure on the new rope.
- 6.2 Leave the appliance closed for at least 12 hours before lighting the stove.
- 6.3 Use at a low temperature for approximately one day.

Using the stove with a damaged door seal could allow dangerous fumes to enter the room, or the appliance to over-fire and cause damage.

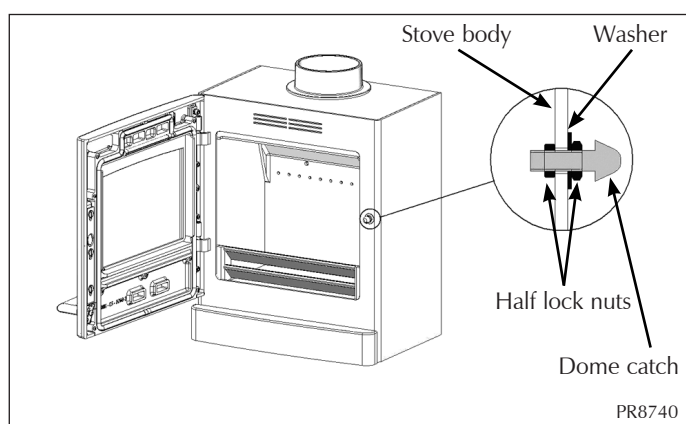
MAINTENANCE and SERVICING

7. ADJUSTING DOOR CATCH & HINGES

7.1 To maintain the safe use of your appliance, you may need to adjust the door hinges to ensure the door closes safely and correctly.

7.2 To adjust the **door catch**:

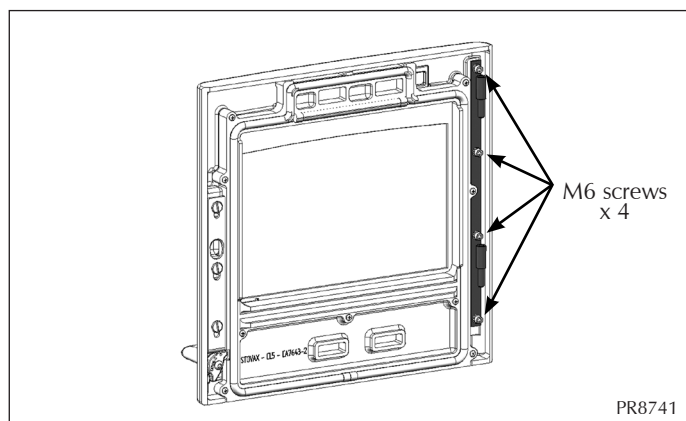
- Open the door to gain access to the catch.
- Use a 13mm A/F spanner to loosen the half lock nuts either side of the appliance body. This will allow the dome catch to rotate in and out (see diagram below).



- Once the desired setting has been achieved ensure the lock nuts are tightened against the appliance body.

7.3 To adjust the **door hinge plate assembly**:

- Open door and lift free of hinge plate.
- Lay the door face down on a soft, flat surface, to protect the paintwork and glass.
- Use an M6 hexagon key to loosen the 4 x M6 screws.



The hinge plate assembly is slotted so it can be moved up, down and sideways by approximately 3mm to adjust the position of the door in relation to the appliance.

- Once the desired position has been achieved ensure the screws are firmly tightened against the hinge plate assembly to maintain the position.

Organisations authorised to certify competence in the installation of domestic solid fuel appliances (Competent Persons Scheme):

APHC - Association of Plumbing and Heating Contractors (Certification) Ltd.
www.aphc.co.uk

BESCA - Building Engineering Services Competence Accreditation Ltd.
www.besca.org.uk

HETAS - Heating Equipment Testing and Approval Scheme Ltd.
www.hetas.co.uk

NAPIT - National Association of Professional Inspectors and Testers Ltd.
www.napit.org.uk

NICEIC - NICEIC Group Ltd.
www.niceic.org.uk

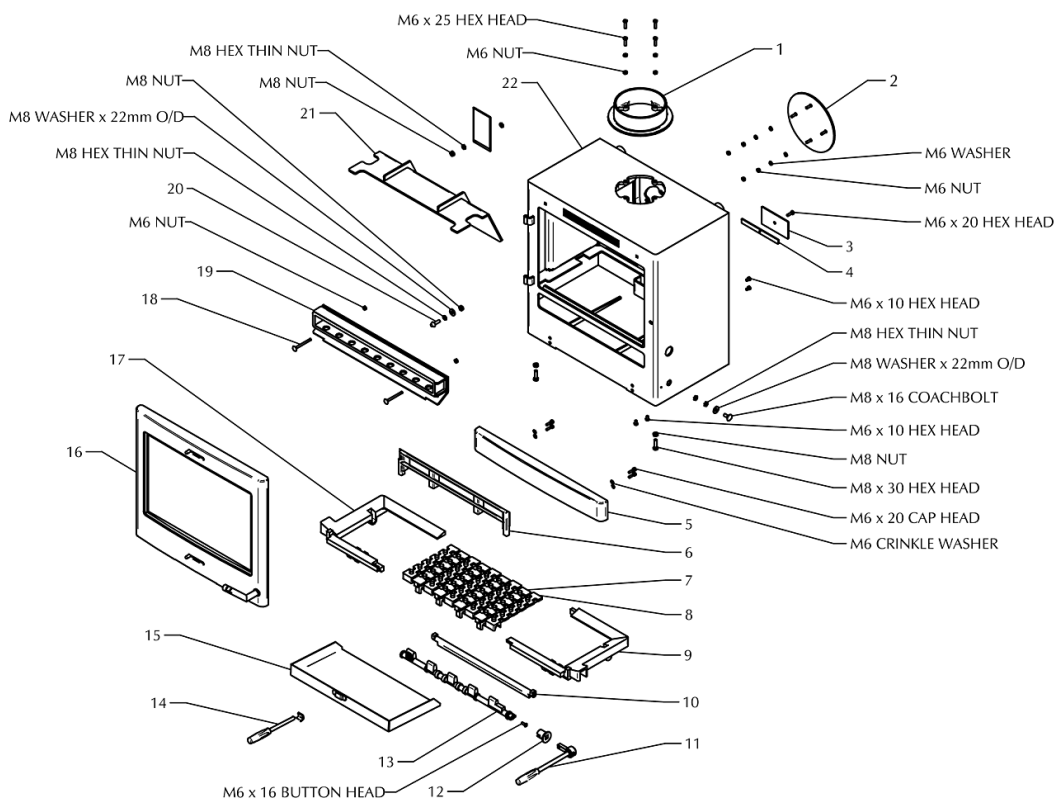
HETAS Approved Chimney Sweeps:

NACS - The National Association of Chimney Sweeps
www.chimneyworks.co.uk

APICS - The Association of Master Chimney Sweeps Ltd.
www.apics.org

The Guild of Master Chimney Sweeps
guildofmasterchimneysweeps.co.uk

SPARE PARTS LIST

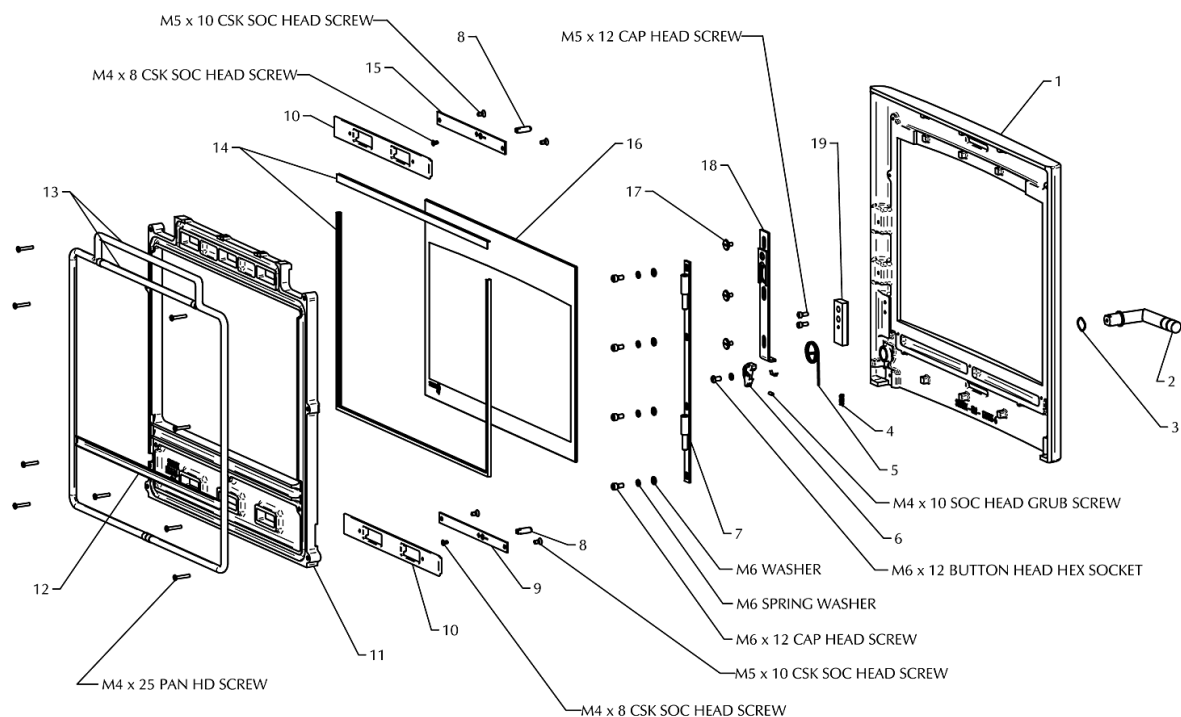


YM-CL8HB

PR8904

Ref. No.	Product Code	Drawing No. (if different)	Description
1	CA7669		6" CAST FLUE
2	SM13	MEC7004	6" FLUE BLANKING PLATE
3	-	ME501805	THERMOSTAT BLANKING PLATE
4	-	ME501806	THERMOSTAT BLANKING BAR
5	CA7651		PLINTH
6	SM62	CA7111	LOG RETAINER
7	ST8-CA7480	CA7480	GRATE BAR - MOVING
8	ST8-CA7479	CA7479	GRATE BAR - FIXED
9	ST8-CA7464	CA7464	MULTI FUEL INFILL RIGHT HAND SIDE
10	ST8-CA7500	CA7500	BACK RIDDLING BAR
11	MEC8792		RIDDLING TOOL ASSEMBLY
12	RVN-CA7595	CA7595	THIN MULTI FUEL RIDDLING SOCKET
13	ST8-CA7584	CA7584	RIDDLING BAR
14	MEC8793		ASHPAN TOOL ASSEMBLY
15	ST8-MEC8155	MEC8155	ASHPAN ASSEMBLY
16	MEC8620		DOOR ASSEMBLY
17	ST8-CA7463	CA7463	MULTI FUEL INFILL LEFT HAND SIDE
18	SM19	M0670CBLT	M6 X 70 COACHBOLT
19		MEC8747	AIRWASH ASSEMBLY
20	ME600521		LATCH SCREW
21	ST8-MEC8802	MEC8802	BAFFLE ASSEMBLY
22	MEC8625		BOILER CARCASS

SPARE PARTS LIST



MEC8606 / MEC8628 / MEC8620

PR8902

Ref. No.	Product Code	Drawing No. (if different)	Description
1	CA7615		CAST DOOR
2	MEC8619		DOOR HANDLE ASSEMBLY
3	FA500024		WAVE SPRING - YRW-0087S17
4	FA9508	FA500016	SPRING 6.1MM O/D X 0.61MM DIAMETER WIRE X 22.2MM LONG
5	FA500025		TORSION SPRING
6	CA7635		DOOR HANDLE CAM
7	MEC8636		HINGE PLATE ASSEMBLY
8	ME600392		AIR CONTROL HANDLE
9	ME600449		PRIMARY AIR SLIDER PLATE
10	CA7649		AIR SLIDER
11	CA7648		GLASS CLAMP
12	4952 / 4957	CE7818	INSULATION TAPE (BLACK) 5MM X 2MM X 450MM (4957) - AVAILABLE IN 2M & 25M
13	5000 / 4670	CE7735	ROPE SEAL (BLACK) Ø14MM X 2300MM (4670) AVAILABLE IN 2M & 25M
13	5000 / 4670	CE7783	ROPE SEAL (BLACK) Ø14MM X 410MM (4670) AVAILABLE IN 2M & 25M
14	4950 / 4954	CE7739	SELF ADHESIVE TAPE (BLACK) 15MM X 2MM X 1110MM (4954) AVAILABLE IN 2M & 25M
14	4950 / 4954	CE7803	SELF ADHESIVE TAPE (BLACK) 15MM X 2MM X 470MM (4954) AVAILABLE IN 2M & 25M
15	ME600457		AIRWASH SLIDER PLATE
16	CE7705		DOOR GLASS
17	FA9510	ME7702	SHOULDER SCREW
18	MEC8865		CATCH SLIDER ASSEMBLY
19	ME600410		DOOR CATCH BLOCK

SERVICE RECORDS

1ST SERVICE

Date of Service:.....

Next Service Due:.....

Signed:.....

Retailer's Stamp/HETAS Registration Number

2ND SERVICE

Date of Service:.....

Next Service Due:.....

Signed:.....

Retailer's Stamp/HETAS Registration Number

3RD SERVICE

Date of Service:.....

Next Service Due:.....

Signed:.....

Retailer's Stamp/HETAS Registration Number

4TH SERVICE

Date of Service:.....

Next Service Due:.....

Signed:.....

Retailer's Stamp/HETAS Registration Number

5TH SERVICE

Date of Service:.....

Next Service Due:.....

Signed:.....

Retailer's Stamp/HETAS Registration Number

6TH SERVICE

Date of Service:.....

Next Service Due:.....

Signed:.....

Retailer's Stamp/HETAS Registration Number

7TH SERVICE

Date of Service:.....

Next Service Due:.....

Signed:.....

Retailer's Stamp/HETAS Registration Number

8TH SERVICE

Date of Service:.....

Next Due:.....

Signed:.....

Retailer's Stamp/HETAS Registration Number

9TH SERVICE

Date of Service:.....

Next Due:.....

Signed:.....

Retailer's Stamp/HETAS Registration Number

10TH SERVICE

Date of Service:.....

Next Service Due:.....

Signed:.....

Retailer's Stamp/HETAS Registration Number



A division of Stovax Ltd

Falcon Road, Sowton Industrial Estate, Exeter, Devon, England EX2 7LF

Tel: (01392) 474500 Fax: (01392) 219932

E-mail: yeoman@stovax.com www.yeoman-stoves.co.uk